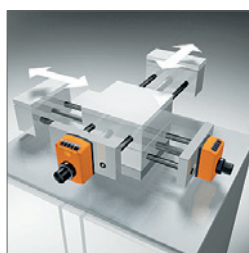
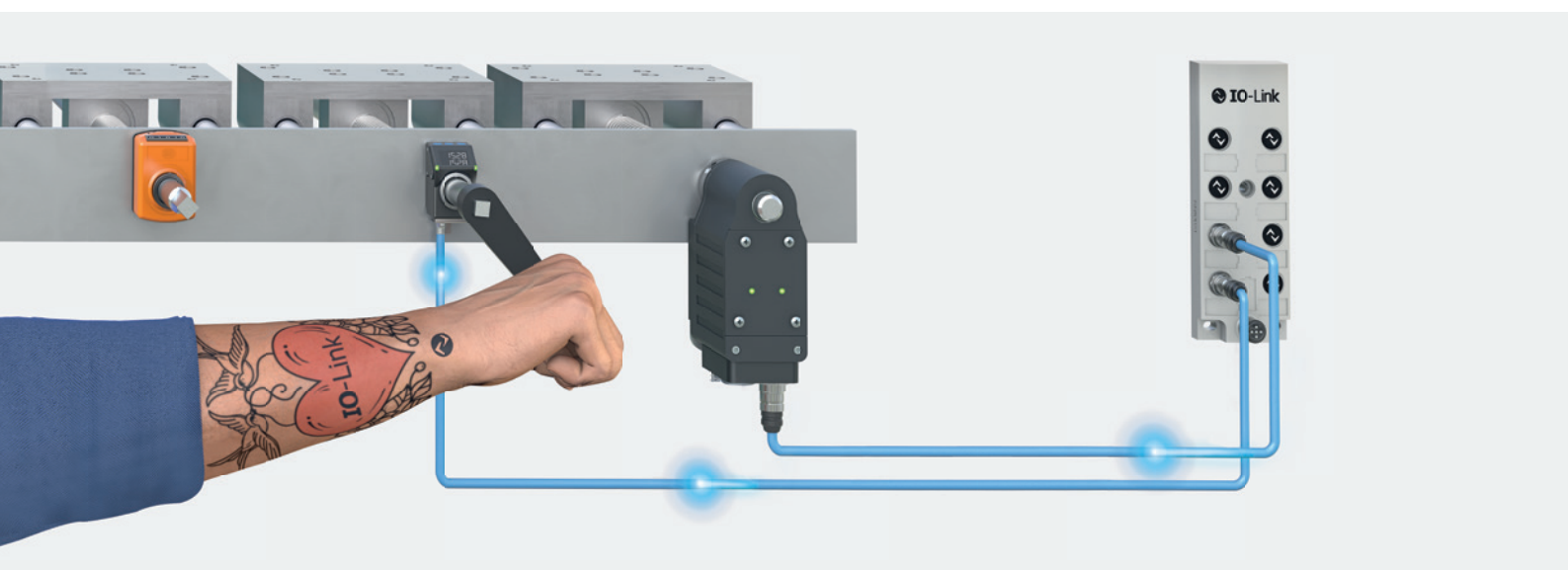


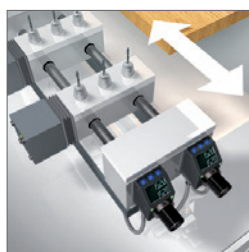
规格形式转换调整

QUICK SIZE CHANGEOVER



1 家供应商, 3 种解决方案, 均提供高效的 规格形式转换调整方式

我们为您提供三种不同的解决方案, 每种方案都具有显著的独特优势, 并且与您的机器调整轴所需的转换频率相匹配:



1 手动机械式规格形式转换调整
配带数字式位置指示器, 用于经济实惠、精度可靠的定位方式



2 监控式规格形式转换调整
配带总线式位置指示器, 具有设定值与实际值的同步性调整功能, 并提供状态显示功能用于指导手动式调整

3 自动式规格形式转换调整
配带现场总线式的紧凑型定位驱动器, 用于优化工艺过程、精确无误和全自动化的定位方式。

3 solutions, 1 supplier for effective changeover

Depending on the adjustment frequency of the spindles on your machine, we offer you three different solutions, each of which has significant benefits:

1 Manual changeover
Digital position indicators for low-cost, reliable positioning.

2 Monitored changeover
Bus-capable position indicators with target/actual value adjustment and status display for guided manual format change.

3 Automated changeover
Fieldbus compact positioning drives for process-optimized, precise, fully-automated positioning.

手动机械式规格形式转换调整

MANUAL SIZE CHANGEOVER

机械电子式位置指示器

机械数字式位置指示器专为规格形式调整频率较低的基础机器而设计。

优势

- 价格经济、坚固耐用的测量系统
- 显示清晰、精确无误的数字式显示值
- 测量值可以公制或英寸方式显示
- 通过空心轴方式使安装简单
- 基础参数可进行自由编程 (DE 产品系列)

Mechanical/Electronic position indicators

Mechanical-digital position indicators are predestined for basic machines with few format changes.

Advantages

- Low-cost, robust measurement system
- Clear, precise digital display values
- Display of measured values metrically or in inches
- Easy hollow-shaft mounting
- Basic parameters freely programmable (DE series)



DA09S



DE10

监控式规格形式转换调整

MONITORED SIZE CHANGEOVER

电子式总线型位置指示器

适合用于螺旋轴式调整方式和直接式线性推进装置。用于每天需要多次的规格形式转换调整的情况下，借助集成的目标值与实际值调整功能，达到提高了质量水准。

优势

- 目标位置与实际位置通过双行 LCD 显示屏进行显示
- 直观的状态显示，通过红绿色 LED 灯达到
- 基础参数可进行自由编程的功能
- 高度的工艺过程可靠性和生产制造重复性

Electronic, bus-capable position indicators

For spindles and direct linear slide units. They are suitable where there are several changeovers per day and enhance the standard of quality thanks to integrated target/actual value adjustment.

Advantages

- Two-line LC display for target and actual position
- Optical status display via red/green LED
- Basic parameters freely programmable
- High process safety and reproducibility



AP10



打开视频 /
Play film

纸箱架设机 - 改造 /
Case Erector - Retrofit



AP10S



纸箱预备机 /
Play film

纸箱架设机 - 改造 /
Case Erector



AP05



贴标机 /
Play film

纸箱架设机 - 改造 /
Labelling Machine



自动化规格形式转换调整

AUTOMATIC SIZE CHANGEOVER

紧凑型定位驱动装置

自动化现场总线式紧凑型定位驱动器特别适用于需要进行频繁的规格形式转换调整的情况下，由此确保提供高度的工艺过程可靠性。

优势

- 灵活自由的设备设置方案
- 转换调整周期和时间短
- 生产率高、质量好
- 安装和调配工作量极少
- 运行调试速度快
- 高耐用性和免维护性

Compact positioning drives

Automated fieldbus compact positioning drives are ideal for frequent changeovers and high process reliability.

Advantages

- Flexible machine design concept
- Short cycle or retrofitting time in format adjustment
- High productivity and quality
- Minimal installation and mounting effort
- Quick setup
- High availability, maintenance-free



AG03/1



AG05 / AG06



AG25 / AG26



打开视频 /
Play film

包装线 /
Packaging line



打开视频 /
Play film

包装线上的检查和运输 /
Inspection and transportation within a packaging line



SIKO 控制器 IPS1010

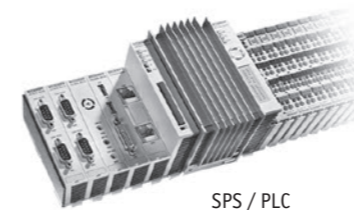
来自单一提供商的完整系统！通过 SIKO 控制器 IPS1010，我们为总线兼容的 SIKO 位置指示器和定位驱动器，提供了一个自给自足的控制系统。借助直观的用户界面，使操作变得易如反掌！

SIKO Controller IPS1010

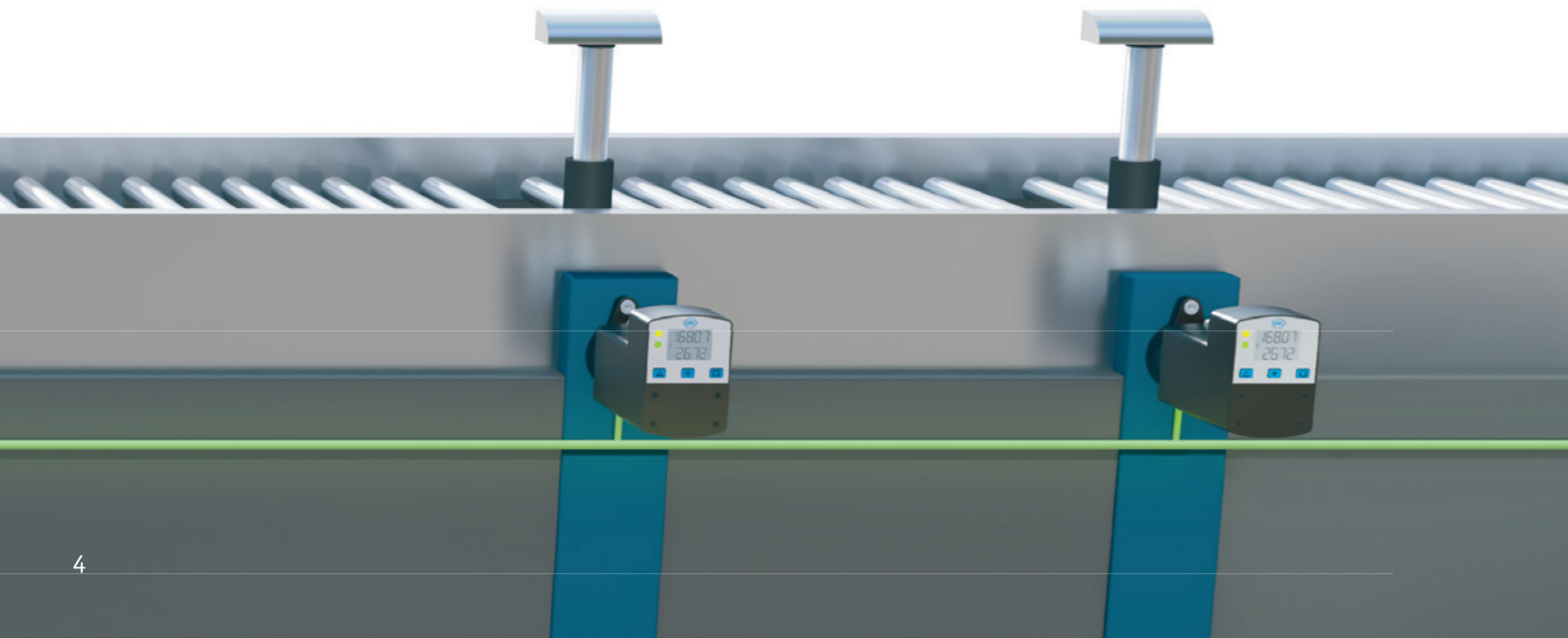
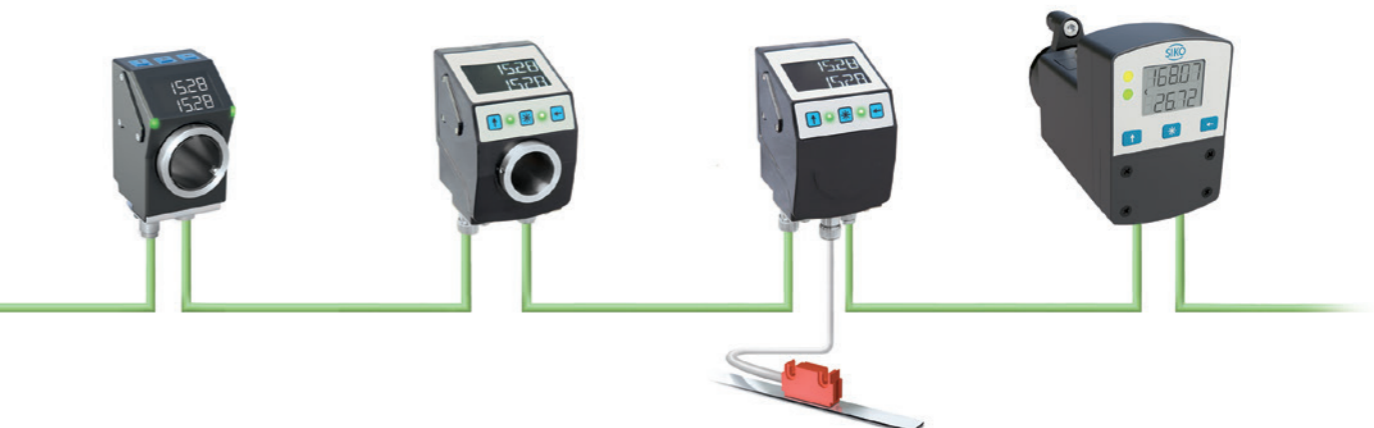
A complete system from a single source! With the SIKO Controller IPS1010 we offer you a stand-alone control system for bus-capable SIKO position indicators and positioning drives. The intuitive user interface makes operation child's play!



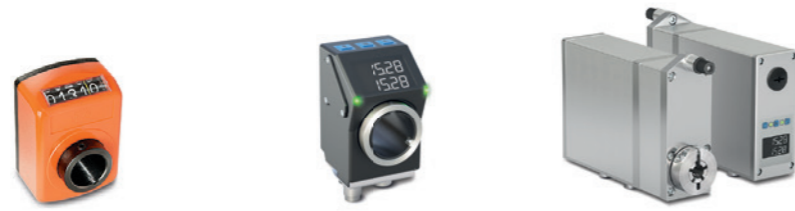
CANopen



SPS / PLC



优势汇总表
Advantage matrix



优势汇总表 | Engineering

运行调试 Setup	++	+	0
可安装配件兼容性 Compatible mounting dimensions	++	++	+ / ++
贯通的空心轴 Through hollow shaft	++	++	+ / ++
数字式记录功能 - Traceability Digital protocolling - Traceability	0	++	++
制造重复性 Reproducibility	0	++	++
现场总线功能 Fieldbus-compatible	0	++	++
系统精度 System accuracy	0	+	+

经济效益 | Cost effectiveness

工艺优化性 Process optimization	0	+	++
初始成本 Initial cost	++	+	0
摊销效益 Amortisation	0	+	++

0 = 满意 / 未给出, + = 良好, ++ = 优秀 | 0 = satisfactory/not applicable, + = good, ++ = very good

通过减少停机时间提高机器效率

质量标准要求越高和需对调整轴定位的频率越高，通过使用监控式或自动化定位解决方案能够达到的生产效率和利润就越高。

Greater machine efficiency through reduced downtimes

The higher the quality requirements and the more often an axis has to be positioned, the greater the productivity and profits will be using a monitored or automated positioning solution.



需调整频率 | Adjustment Frequency

可安装配件兼容性

SIKO 位置指示器 DA09S, AP05, AP10 和紧凑型定位驱动器 AG05, AG06 可以相互组合使用，并可进行机械安装的互换（安装配件兼容性）。

作为设备制造商，这是一大优势！您可以根据客户的需求，对机器的自动化程度进行单独的技术设计及相应提供。对于需要频繁运动的调整轴，可以配备我司的紧凑型定位驱动器，而对于不需要经常运动的调整轴，则可以使用价格经济的位置指示器进行定位。

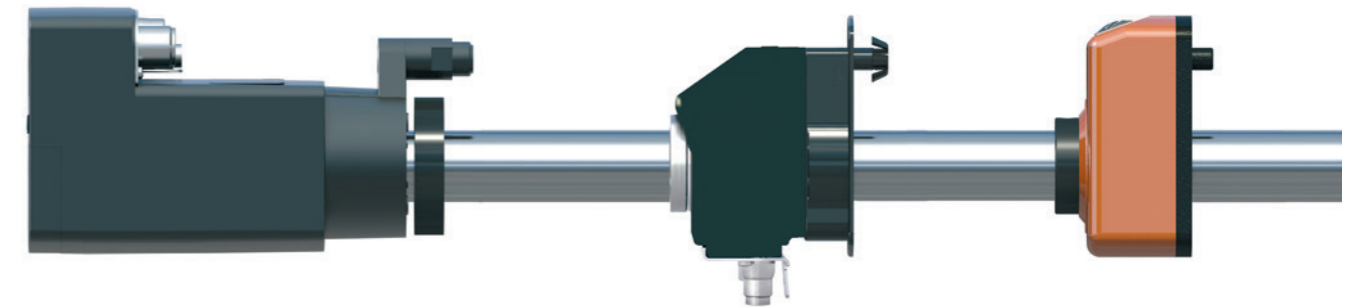
此外，也可随时使用更新改造配置件进行技术更新。其表示：所有三种设备都具有相同的空心轴直径和几乎完全相同的安装部位轮廓。

Compatible mounting dimensions

The DA09S, AP05, AP10 SIKO position indicators and the compact AG05, AG06 positioning drives are combinable and mechanically interchangeable (compatible mounting dimensions).

This means an enormous advantage for you as a machine manufacturer! You can configure the automation level of your machine individually and offer your customers a solution to suit their wishes. Our compact positioning drives are ideal for installing on axes which need frequent adjustment, while low-cost position indicators can be used to position axes which rarely need adjusting.

Retrofitting is also possible at all times. The crucial point: All three devices have the same hollow-shaft diameter and quasi identical mounting contours.



AG05 / AG06

AP05 / AP10 / AP20

DA09S



我们竭诚为您服务

无论是本地客户 ...

您正在寻找附近的代理?我们的网站为您提供帮助, 通过

www.siko-global.com 网址和输入邮政编码, 找到负责您的德国 SIKO 代理商的当前联系方式。

... 还是国际客户

SIKO 公司在全球范围由子公司和商业机构代理。通过

www.siko-global.com 找到在您附近的 SIKO 合作伙伴。

We are always there for you.

Whether locally ...

Are you looking for an agency near you? Our website will help you.

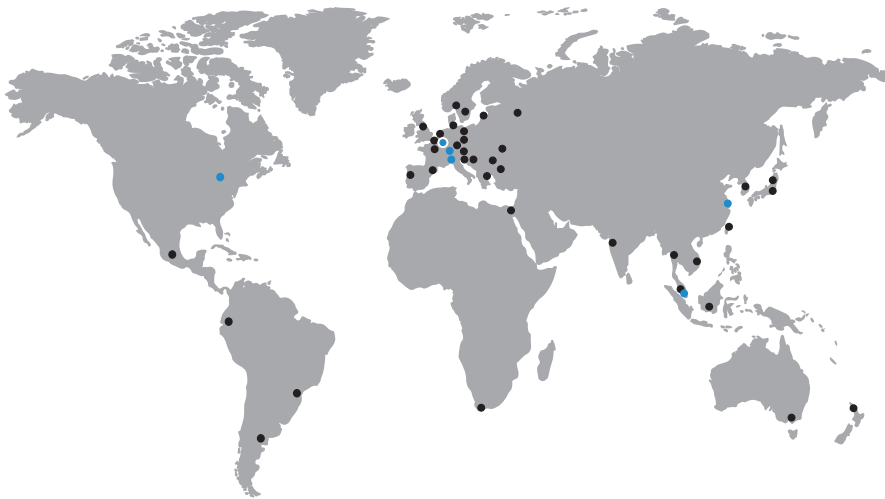
At www.siko-global.com you will find current contact data of a local German SIKO agency via your postal code.

Or just call us and we will give you the contact data you need.

... or internationally.

Subsidiaries and agents all over the world represent SIKO.

At www.siko-global.com you will also find a SIKO partner in your area.



SIKO Global



SIKO GmbH



SIKO Products Inc.



SIKO Italia S.r.l.



SIKO MagLine AG



SIKO International Trading (Shanghai) Co., Ltd.



SIKO Products Asia Pte. Ltd.

SIKO GmbH

Weiherrmattenweg 2
79256 Buchenbach

Am Krozinger Weg 2
79189 Bad Krozingen

Phone +49 7661 394-0

Fax +49 7661 394-388

E-Mail info@siko-global.com

www.siko-global.com

Follow "SIKO-global" and stay up to date!

