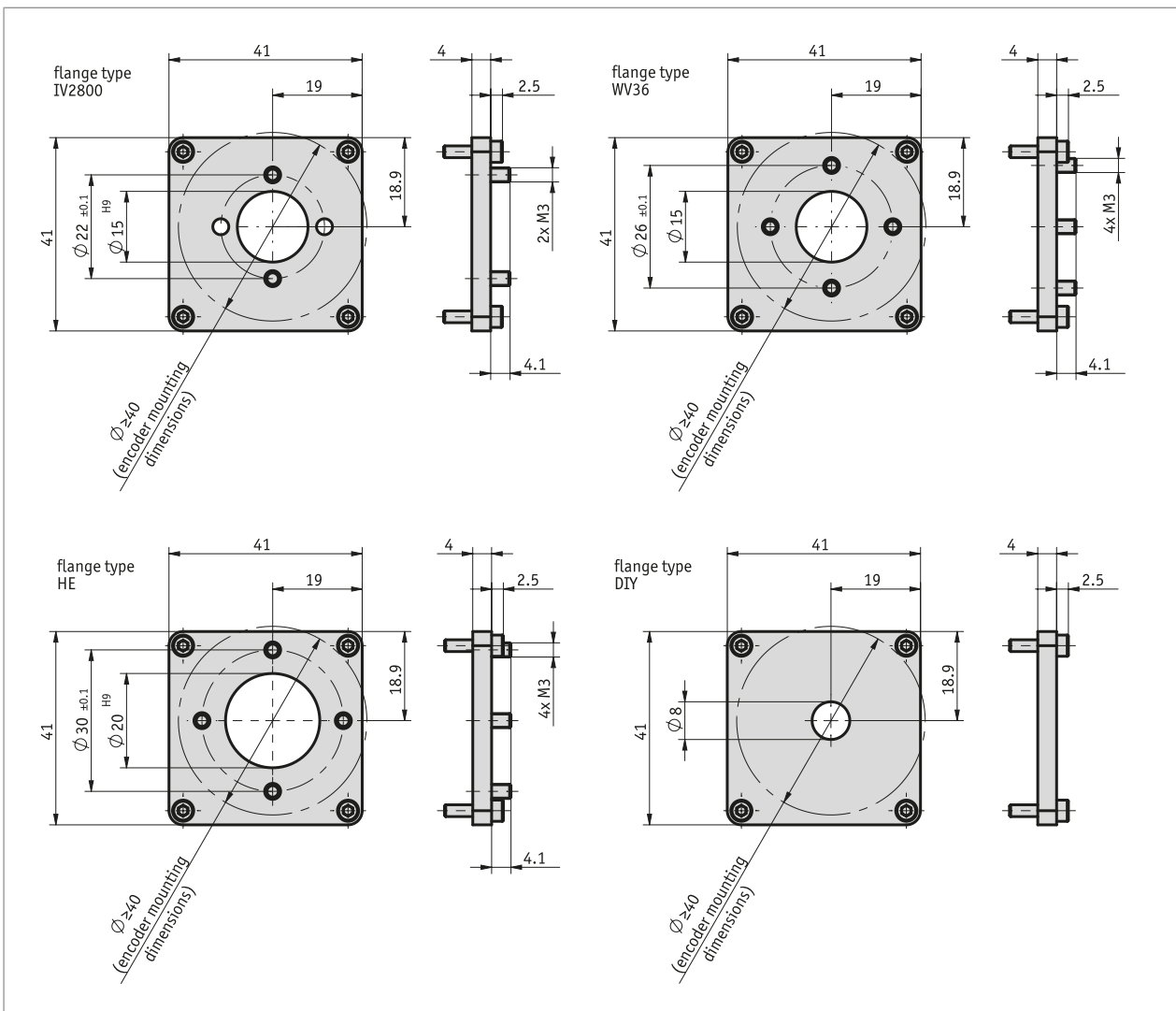


### Profile

- For easy mounting of rotary encoders to SG21
- For rotary encoders with max.  $\varnothing 40$  mm
- Diverse variants available
- Basic version (DIY) for own adjustments

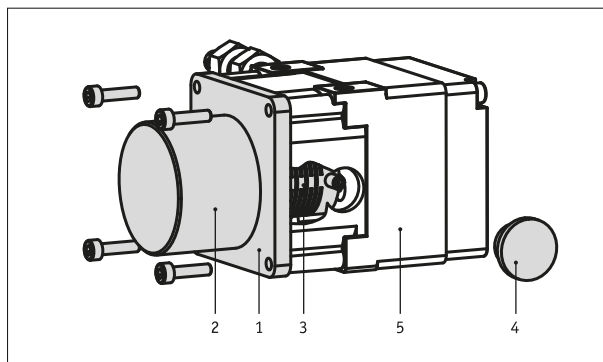


### Mechanical data

Feature	Technical data	Additional information
Material	aluminum	

### Hint for mounting

Mount the mounting flange [1] directly on the encoder flange [2]. After mounting the self-aligning coupling [3] on the encoder shaft, place the rotary encoder with flange and coupling on the cable housing [5]. Screw the flange to the housing and fasten the coupling through the lateral hole on the drum shaft of the cable. The plastic cover [4] prevents foreign bodies from entering the cable housing. For detailed instructions regarding encoder mounting refer to the user information of the SG21 wire-actuated encoder



### Order

#### ■ Ordering information

One or more system components are required:

Incremental encoder IV2800  
 Absolute encoder AV3650M  
 Absolute encoder WV3650M  
 Absolute encoder WV36M/CAN

www.siko-global.com  
 www.siko-global.com  
 www.siko-global.com  
 www.siko-global.com

#### ■ Ordering table

Feature	Ordering data	Spezifikation	Additional information
flange type	A	IV2800	for ø28 mm rotary encoder
		WV36	for ø36 mm rotary encoder
		HE	for rotary encoder with bolt circle ø30 mm
		DIY	processing of the flange for the encoder by the customer

#### ■ Order key

ZB4002 -



#### Scope of delivery:

ZB4002, Fastening screws for flange and encoder