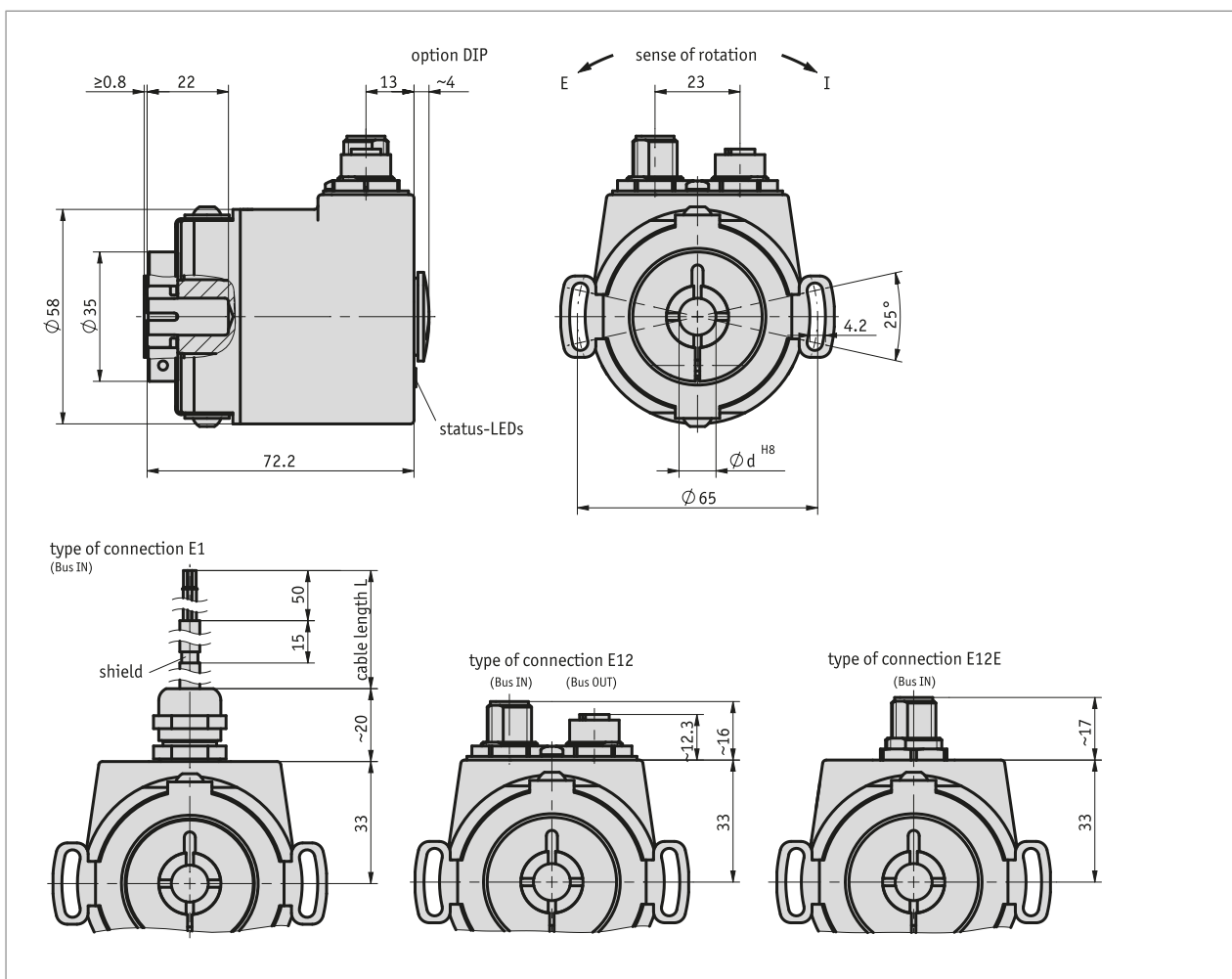


### Profile

- Hollow shaft to  $\varnothing$  15 mm
- CANopen (DS406) or SAE J1939 interface
- Salt spray tested housing available
- High EMC compatibility
- with PURE.MOBILE technology
- Optional: Inclination sensor, bus address adjustable via rotary switch, digital I/O
- E1 Approval by the German Federal Office for Motor Vehicles
- Single turn or multiturn variant available



### Mechanical data

Feature	Technical data	Additional information
shaft	rustproof stainless steel	
Flange	aluminum	
Housing	aluminum die-cast	CDP-coated
Speed	≤3000 min <sup>-1</sup>	
Moment of inertia	≤110 gcm <sup>2</sup>	
Starting torque	≤3 Ncm at 20 °C	
Shaft load rating	≤80 N ≤40 N	radial axial
Cable sheath	PVC	E1 connection type
Cable bending radius	>25 mm	E1 connection type, static
Weight	~0.4 kg	

### Electrical data

Feature	Technical data	Additional information
Operating voltage	8 ... 36 V DC	reverse polarity protection
Current consumption	20 mA at 36 V 28 mA at 24 V 76 mA at 8 V	
Power input	≤800 mW	without load
Parameter storage	10 <sup>5</sup> cycles	also applies to calibration operations
Status display	three-color LED (red/green/yellow)	device status/CAN status
Power rating	±36 V	CAN interface
Interface	according to ISO 11898-1, not electrically isolated	CANopen, CiA 301, CiA 303 Part 3, CiA 305, CiA 406
Address	1 ... 127	Node ID, via SDO or Layer Setting Service (LSS)
Baud rate	20 kbit/s 50 kbit/s 125 kbit/s 250 kbit/s 500 kbit/s 800 kbit/s 1 Mbit/s	
Cycle time	1.5 ms, typical	
Starting time	<150 ms	
Parameter	according to CiA 301, CiA 303 Part 3, CiA 305, CiA 406	CANopen
Type of connection	1x M12-plug connector (A-coded) 2x M12 plug connectors (A-coded) open cable end	5-pin, 1x pin (E12E connection type) 5-pin, 1x pin, 1x socket (E12 connection type) E1 connection type

### System data

Feature	Technical data	Additional information
Scanning	magnetic	
Resolution	14 bit	singleturn, 16384 steps/revolution
Measuring range	1 rotation(s) 4096 rotation(s)	singelturm
Approval	E1	UN ECE R10 approval No.: E1*10R05/01*8898*00

### Ambient conditions

Feature	Technical data	Additional information
Ambient temperature	-40 ... 85 °C	
Storage temperature	-40 ... 85 °C	
Relative humidity	100 %	condensation admissible
EMC	EN 61000-6-2 EN 61000-6-4 EN 61326-3.1 ISO 11452-1, -2, -3, -4, -5 ISO 7637-1, -2 ISO 10605	interference resistance / immission emitted interference / emission immunity requirement of industrial applications, emission limit class B Interference radiation ESA transient pulses Electrostatic discharge (ESD)
Protection category	IP67	EN 60529
Salt spray test	severity level 3	EN 60068-2-52 (ambient condition SN)
Shock resistance	500 m/s <sup>2</sup> , 11 ms	EN 60068-2-27, half-sine, 3 axes (+/-), each 3 shocks
Vibration resistance	100 m/s <sup>2</sup> , 10 ... 2000 Hz	EN 60068-2-6, 3 axes, each 10 cycles

### pin assignment

#### ■ E12, E12E

Signal	PIN
nc	1
+UB	2
GND	3
CAN_H	4
CAN_L	5

#### ■ E1

Signal	Cable color E1
nc	white
+UB	brown
GND	green
CAN_H	yellow
CAN_L	gray

### Order

#### ■ Ordering table

Feature	Ordering data	Spezifikation	Additional information
number of revolutions	<b>A</b> 1 4096	singleturn 12 bit	
hollow shaft/diameter	<b>B</b> 10 12 15	ø10 mm ø12 mm ø15 mm	
ambient conditions	<b>C</b> S SN	standard salt spray tested housing	
Type of connection	<b>D</b> E1 E12 E12E	open cable end Bus IN/Bus OUT Bus IN	
Cable length	<b>E</b> ... OK	01.0, 02.0, 03.0, 05.0, 10.0 in m without cable	
option	<b>F</b> 0 DIP IK1	without rotary switch, address, baud rate inclination sensor, 1 axis	only with CANopen

#### ■ Order key



**Scope of delivery:**  
WH5800M, Quick Start Guide



**Accessories you can find:**  
 Cable extension KV05S0 [www.siko-global.com](http://www.siko-global.com)  
 Extension board DIP [www.siko-global.com](http://www.siko-global.com)  
 Extension board IK1 [www.siko-global.com](http://www.siko-global.com)  
 Overview, Mating connector [www.siko-global.com](http://www.siko-global.com)  
 Mating connector, 5-pole, angle socket Order key 83006  
 Mating connector, 5-pole, socket Order key 84109  
 Bus terminating connector, 5-pole, pin Order key 82815