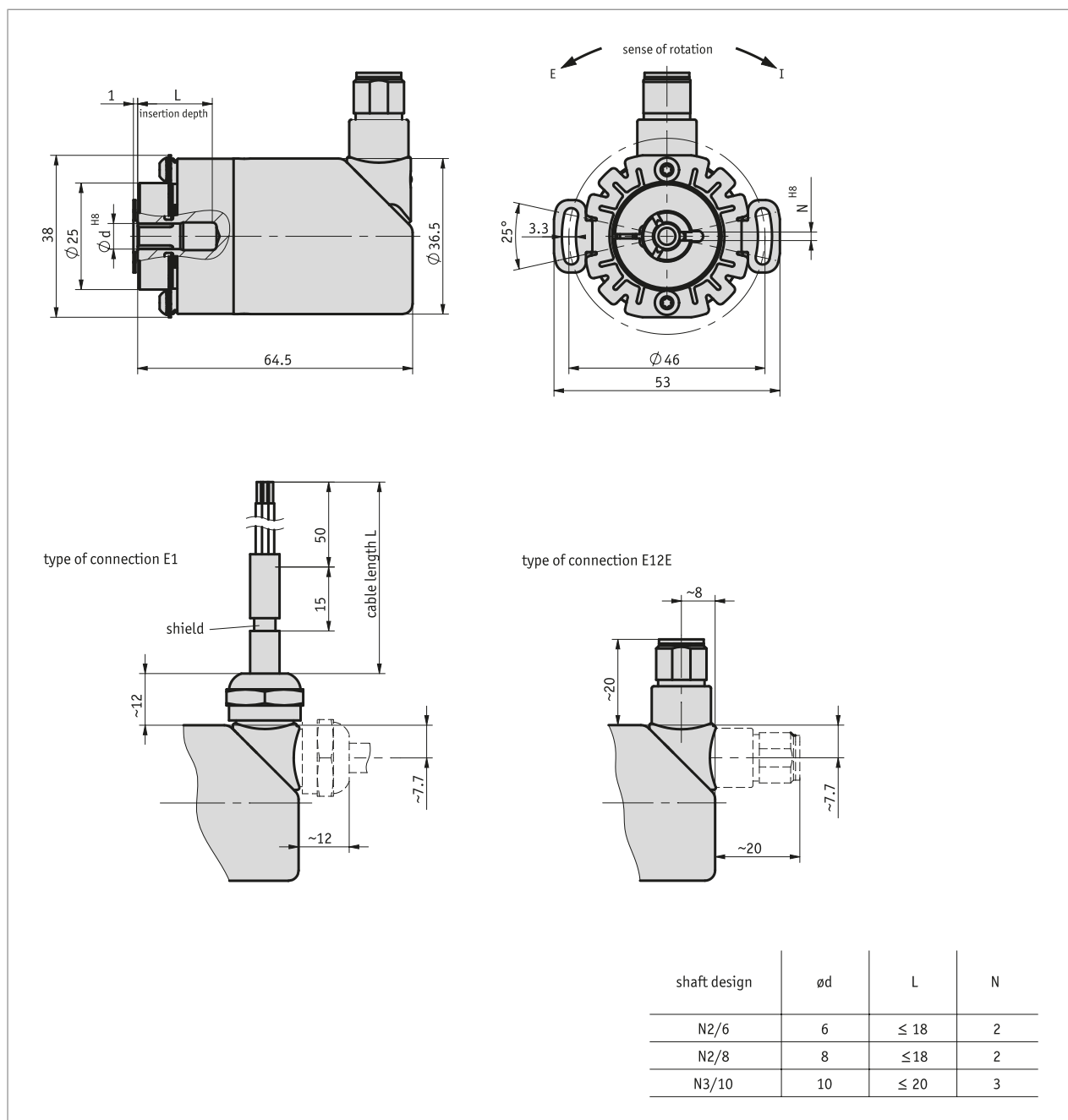
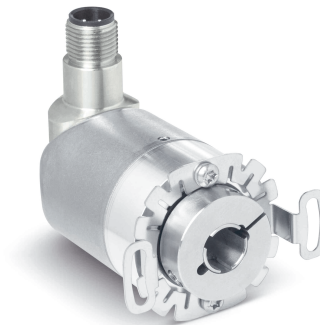


Profile

- Smallest safety multiturn rotary encoder for mobile machines
- Single turn or multiturn variant available
- SIL2 (IEC 61508) PLd (DIN EN ISO 13849) certified (in preparation)
- E1 approval by the German Federal Motor Transport Authority (KBA) pending
- Extremely compact and very robust design
- Protection class up to IP6K9K
- with PURE.MOBILE technology



Mechanical data

Feature	Technical data	Additional information
shaft	rustproof stainless steel	
Flange	aluminum	
Housing	rustproof stainless steel	
Speed	≤3000 min ⁻¹	
Moment of inertia	29 gcm ²	
Shaft load rating	≤40 N	radial
	≤20 N	axial

Electrical data

Feature	Technical data	Additional information
Operating voltage	8 ... 36 V DC	reverse polarity protection
Power input	≤1 W at 36 V	without load
Parameter storage	10 ⁵ cycles	also applies to calibration operations
Status display	1x two-color LEDs (red/green)	Device/CAN status
Power rating	±36 V	CAN interface
Address	1 ... 127	CANopen Safety
	128 ... 238	SAE J1939 Safety
Baud rate	20 kbit/s	CANopen Safety
	50 kbit/s	CANopen Safety
	125 kbit/s	CANopen Safety
	250 kbit/s	CANopen Safety
	500 kbit/s	CANopen Safety
	800 kbit/s	CANopen Safety
	1 Mbit/s	CANopen Safety
Cycle time	<10 ms	
Starting time	<1000 ms	
Parameter	according to CiA 301, CiA 303 Part 3, CiA 305, CiA 406 EN 50325-5	CANopen Safety
Type of connection	1x M12-plug connector (A-coded)	5-pin, 1x pin (E12E connection type)
	open cable end	Stranded wire cross-section 0.5 mm ² (E1 connection type)

System data

Feature	Technical data	Additional information
Scanning	magnetic	
Resolution	14 bit	singleturn, 16384 steps/revolution
Measuring range	1 rotation(s)	singelturm
	4096 rotation(s)	12 bit
	65536 rotation(s)	16 bit

Ambient conditions

Feature	Technical data	Additional information
Ambient temperature	-40 ... 85 °C	
Storage temperature	-40 ... 85 °C	
Relative humidity	100 %	condensation admissible
Protection category	IP67, IP6K9K	EN 60529, ISO 20653, according to assembly instructions and with suitable mating connector
Salt spray test	severity level 3	EN 60068-2-52

pin assignment

■ E12E

Signal	PIN
nc	1
+UB	2
GND	3
CAN_H	4
CAN_L	5

■ E1

Signal	Cable color
nc	white
+UB	brown
GND	green
CAN_H	yellow
CAN_L	gray

Order

■ Ordering table

Feature	Ordering data	Spezifikation	Additional information
interface/protocol	A CANs J1939s	CANopen Safety SAE J1939 Safety	
number of revolutions	B 1 4096 65536	singleturn 12 bit 16 bit	
hollow shaft/diameter	C N2/6 N2/8 N3/10	ø6 mm, form-fit keyway ø8 mm, form-fit keyway ø10 mm, form-fit keyway	
position of electrical connection	D A R	axial radial	
Type of connection	E E1 E12E	open cable end Bus IN	
Cable length	F OK ...	without cable 01.0, 02.0, 03.0, 05.0, 10.0 in m	only with connection type E12E only with connection type E1

■ Order key



	Scope of delivery: WH3600MR, Quick Start Guide
	Accessories you can find: Cable extension KV05S0 www.siko-global.com Overview, Mating connector www.siko-global.com Mating connector, 5-pole, angle socket Order key 83006 Mating connector, 5-pole, socket Order key 84109