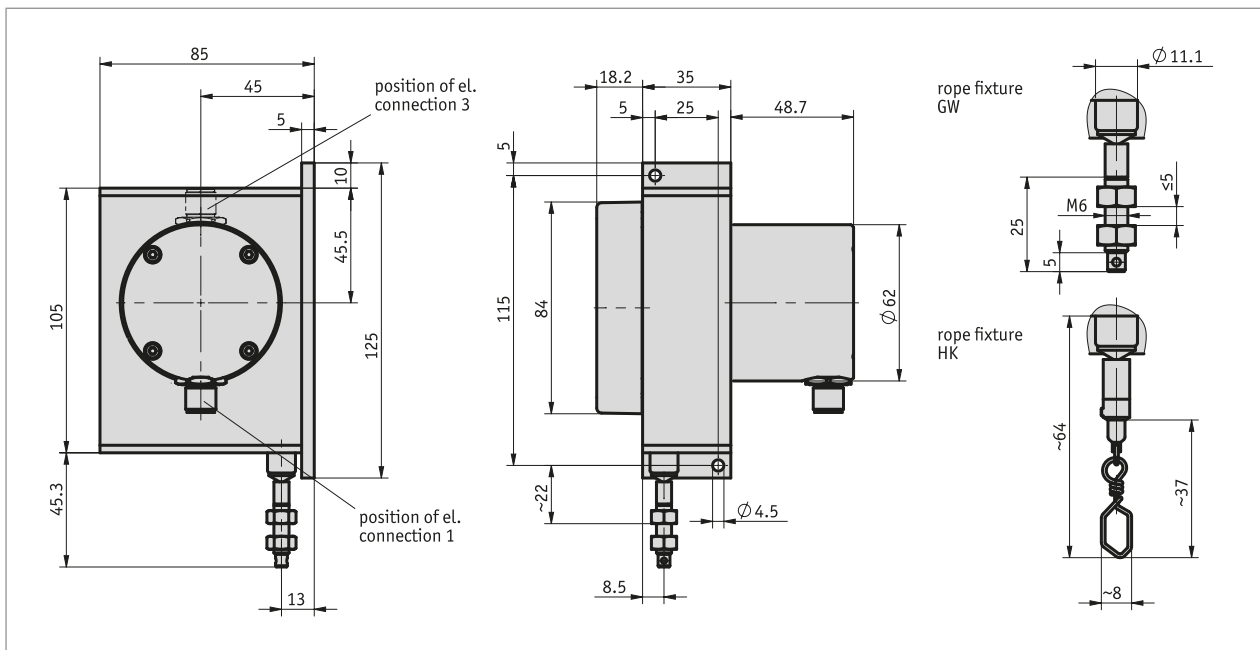
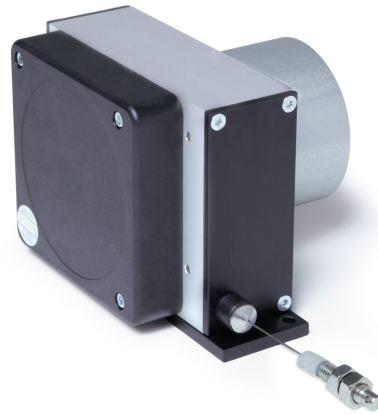


Profile

- Robust design
- Measuring lengths up to 6000 mm
- Analogue signal output in redundant design (2x 4...20 mA or potentiometer)
- Very robust measuring rope (stainless steel)
- IP65 protection class
- M12 plug connection



Mechanical data

Feature	Technical data	Additional information
Housing	aluminum/plastic	
Weight	~0.8 kg	
Wire design	ø0.54 mm	rustproof stainless steel
Extension force	≥8 N	
Measured distance/ rope drum revolution	200 mm	

Electrical data

■ Encoder potentiometer

Feature	Technical data	Additional information
Type of connection	M12 plug connector (A-coded)	8-pole, 1x pin
Operating voltage	≤30 V DC	power loss on the potentiometer <1 W
Resistance tolerance	±5 %	
resistance	10 kΩ	
Linearity tolerance	±0.25 %	
Power rating	2 W at 70 °C	
Standard terminal resistance	0.5 % or 1 Ω	the higher value always applies

■ Transducer, power output

Feature	Technical data	Additional information
Operating voltage	10 ... 30 V DC	between I+ and I-, at $\leq 500 \Omega$ load
Type of connection	M12 plug connector (A-coded)	8-pole, 1x pin
Output current	4 ... 20, (2x)	4/20mA 4/20mA
	20 ... 4 mA, (2x)	20/4mA 20/4mA
	4 ... 20 mA, 20 ... 4 mA	4/20mA 20/4mA

* **Transducers** enable optimal adaptation of output current or output voltage to the measuring range. The measuring transformer is factory preset so that an output signal of 4 ... 20 mA or 20 ... 4 mA is available between the start and end points of the measuring range.

System data

Feature	Technical data	Additional information
Travel speed	≤ 800 mm/s	
Repeat accuracy	± 0.25 mm	per direction of approach
Failure rate	166.7 Year(s)	at 60 °C (MTBF)
Measuring range	5000, 6000 mm	

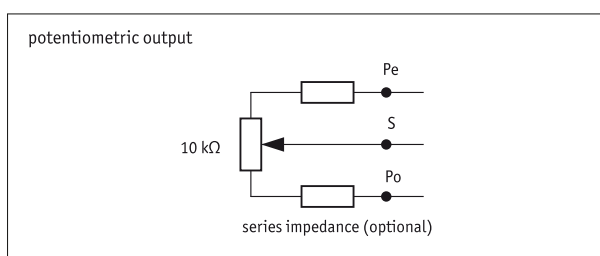
Ambient conditions

Feature	Technical data	Additional information
Protection category	IP65 (for electronic unit)	EN 60529, certonally coated electronics
Ambient temperature	-40 ... 80 °C	
Relative humidity	condensation inadmissible	
EMC	EN 61000-6-2	interference resistance / immission
	EN 61000-6-4	emitted interference / emission

pin assignment

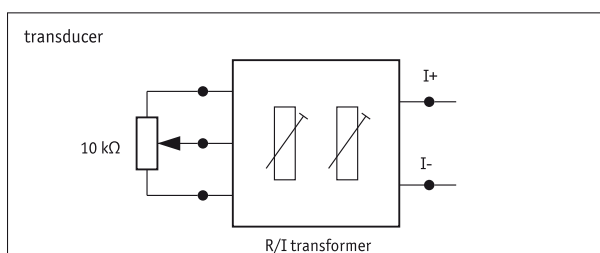
■ Potentiometer pin assignment

Signal	PIN	Additional information
Po	1	Potentiometer 1
Po	2	Potentiometer 2
S	3	Potentiometer 2
Pe	4	Potentiometer 2
nc	5	
Pe	6	Potentiometer 1
S	7	Potentiometer 1
nc	8	



■ Connection assignment of transducer

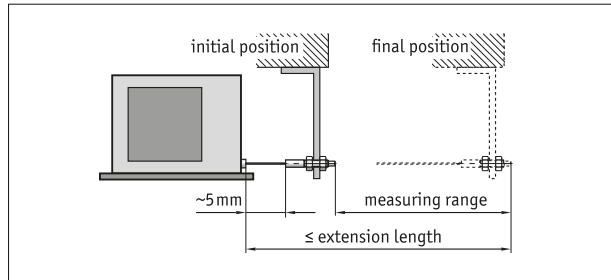
Signal	PIN	Additional information
I+	1	Transducer 1
I+	2	Transducer 2
nc	3	
I-	4	Transducer 2
nc	5	
I-	6	Transducer 1
nc	7	
nc	8	



Hint for mounting

When securing the wire it must be ensured that the wire is straight and vertical in relation to the wire outlet.

Recommendation: Only select the starting position after an unwound length of approx. 5 mm. This prevents the wire hitting the end stop when it is rewound.



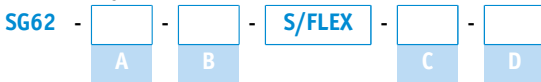
Symbolic representation

Order

■ Ordering table

Feature	Ordering data	Spezifikation	Additional information
Measuring range	A ...	5000, 6000 in mm	
rope fixture	B GW HK	wire suspension with thread wire suspension with hook	
encoder type	C P10_P10 4/20mA_4/20mA 20/4mA_20/4mA 4/20mA_20/4mA	2x potentiometers 10 kΩ 2x transducers 4 ... 20 mA 2x transducers 20...4 mA 2x transducers 4 ... 20 mA counter-rotating	
series impedance	D 1k2 0	1.2 kΩ 0 Ω	

■ Order key



Scope of delivery:

SG62, Installation Instructions



Accessories you can find:

Guide roller UR
Wire extension piece SV

www.siko-global.com
www.siko-global.com