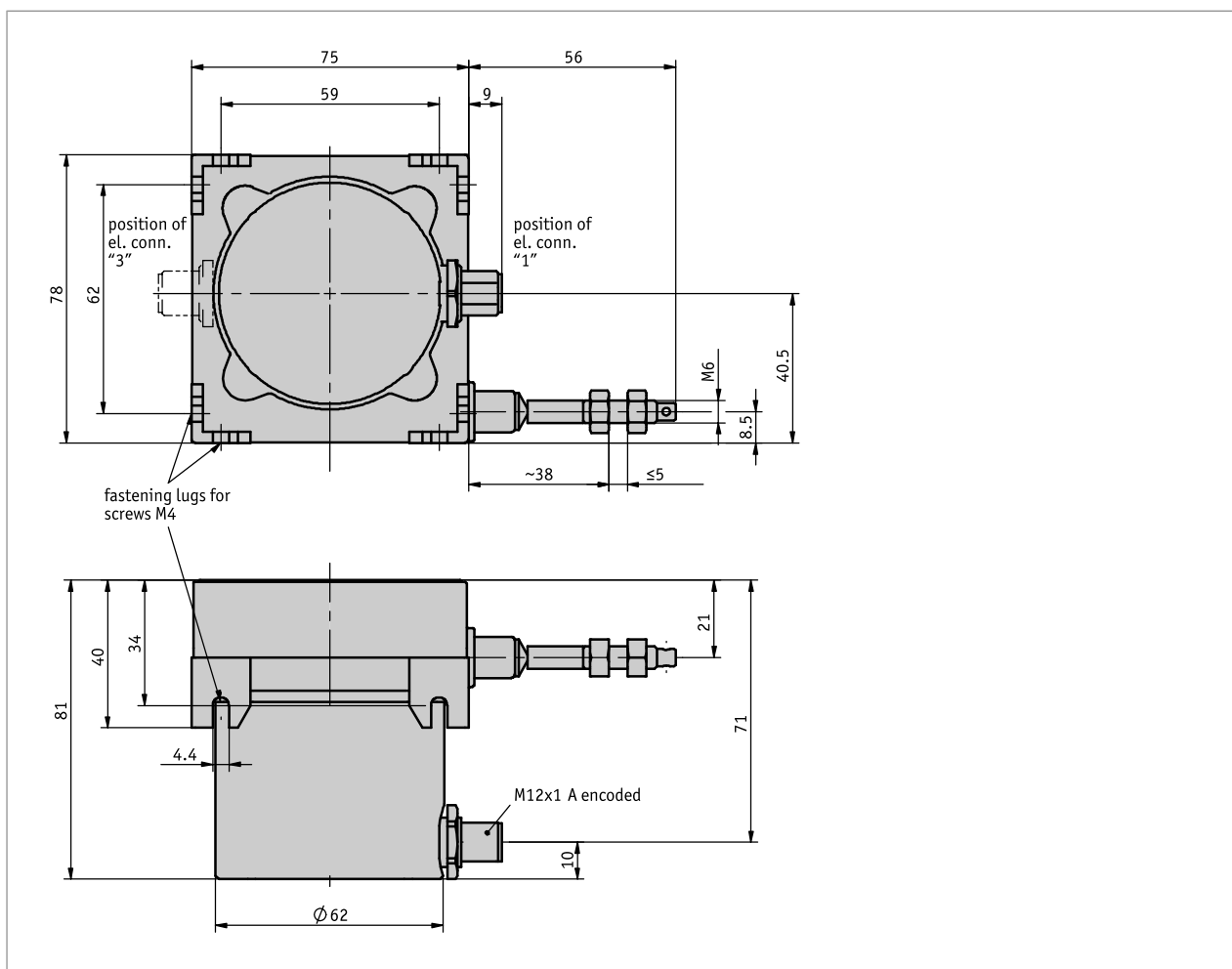
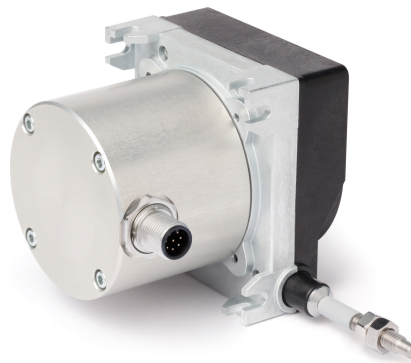


Profile

- Robust design
- Measuring lengths up to 3000 mm
- Analogue signal output in redundant design (2x 4...20 mA or potentiometer)
- Variable mounting options
- Lockable vent and water drain holes
- Very robust measuring rope (stainless steel)
- IP65 protection class
- M12 plug connection



Mechanical data

Feature	Technical data	Additional information
Housing	zinc die-cast, plastic	
Wire design	Ø0.61 mm Ø0.6 mm	rustproof stainless steel, plastic-coated rustproof stainless steel
Extension force	≥9 N	
Absolute accuracy	±0.35 %	relating to measuring ranges (mm)
Weight	~0.5 kg	

Electrical data

Encoder potentiometer

Feature	Technical data	Additional information
Type of connection	M12 plug connector (A-coded)	8-pole, 1x pin
Operating voltage	≤30 V DC	power loss on the potentiometer <1 W
Power rating	2 W at 70 °C	
resistance	10 kΩ	
Resistance tolerance	±5 %	
Standard terminal resistance	0.5 % or 1 Ω	the higher value always applies
Linearity tolerance	±0.25 %	

Transducer, power output

Feature	Technical data	Additional information
Operating voltage	10 ... 30 V DC	between I+ and I-, at ≤500 Ω load
Output current	4 ... 20, (2x)	4/20mA 4/20mA
	20 ... 4 mA, (2x)	20/4mA 20/4mA
	4 ... 20 mA, 20 ... 4 mA	4/20mA 20/4mA
Type of connection	M12 plug connector (A-coded)	8-pole, 1x pin

* **Transducers** enable optimal adaptation of output current or output voltage to the measuring range. The measuring transformer is factory preset so that an output signal of 4 ... 20 mA or 20 ... 4 mA is available between the start and end points of the measuring range.

System data

Feature	Technical data	Additional information
Repeat accuracy	±0.15 mm	per direction of approach
Travel speed	≤800 mm/s	
Failure rate	166.7 Year(s)	at 60 °C (MTBF)

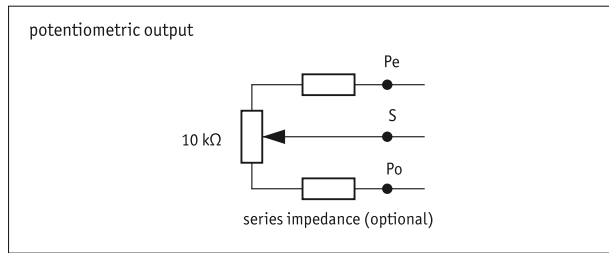
Ambient conditions

Feature	Technical data	Additional information
Ambient temperature	-40 ... 80 °C	
Protection category	IP65 (for electronic unit)	EN 60529, certonally coated electronics

pin assignment

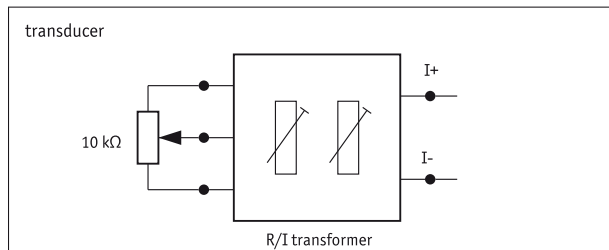
■ Potentiometer pin assignment

Signal	PIN	Additional information
Po	1	Potentiometer 1
Po	2	Potentiometer 2
S	3	Potentiometer 2
Pe	4	Potentiometer 2
nc	5	
Pe	6	Potentiometer 1
S	7	Potentiometer 1
nc	8	



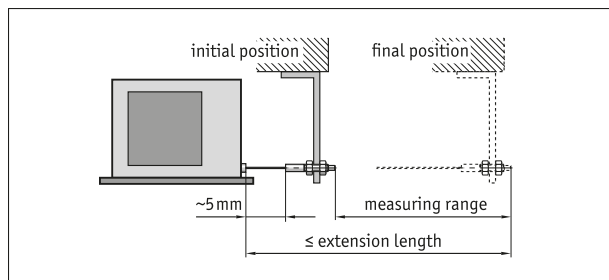
■ Connection assignment of transducer

Signal	PIN	Additional information
I+	1	Transducer 1
I+	2	Transducer 2
nc	3	
I-	4	Transducer 2
nc	5	
I-	6	Transducer 1
nc	7	
nc	8	



Hint for mounting

When securing the wire it must be ensured that the wire is straight and vertical in relation to the wire outlet.
Recommendation: Only select the starting position after an unwound length of approx. 5 mm. This prevents the wire hitting the end stop when it is rewound.



Symbolic representation

Order

■ Ordering table

Feature	Ordering data	Spezifikation	Additional information
Measuring range	A ...	2000, 2500, 3000 in mm	
wire design	B S SK	stainless steel wire steel wire, plastic coated	
encoder type	C P10_P10 20/4mA_20/4mA 4/20mA_20/4mA 4/20mA_4/20mA	2x potentiometers 10 kΩ 2x transducers 20...4 mA 2x transducers 4 ... 20 mA counter-rotating 2x transducers 4 ... 20 mA	
position of electrical connection	D 1 3	direction of wire outlet opposite the wire outlet	
series impedance	E 0	0 Ω	only for P10_10 encoder type

Feature	Ordering data	Spezifikation	Additional information
	1k2	1.2 k Ω	only for P10_10 encoder type

■ Order key



Scope of delivery:

SG32, Installation Instructions



Accessories you can find:

Guide roller UR
Wire extension piece SV
Overview Mating connector
Mating connector, 8-pole, socket

www.siko-global.com
www.siko-global.com
www.siko-global.com
Order key 83525