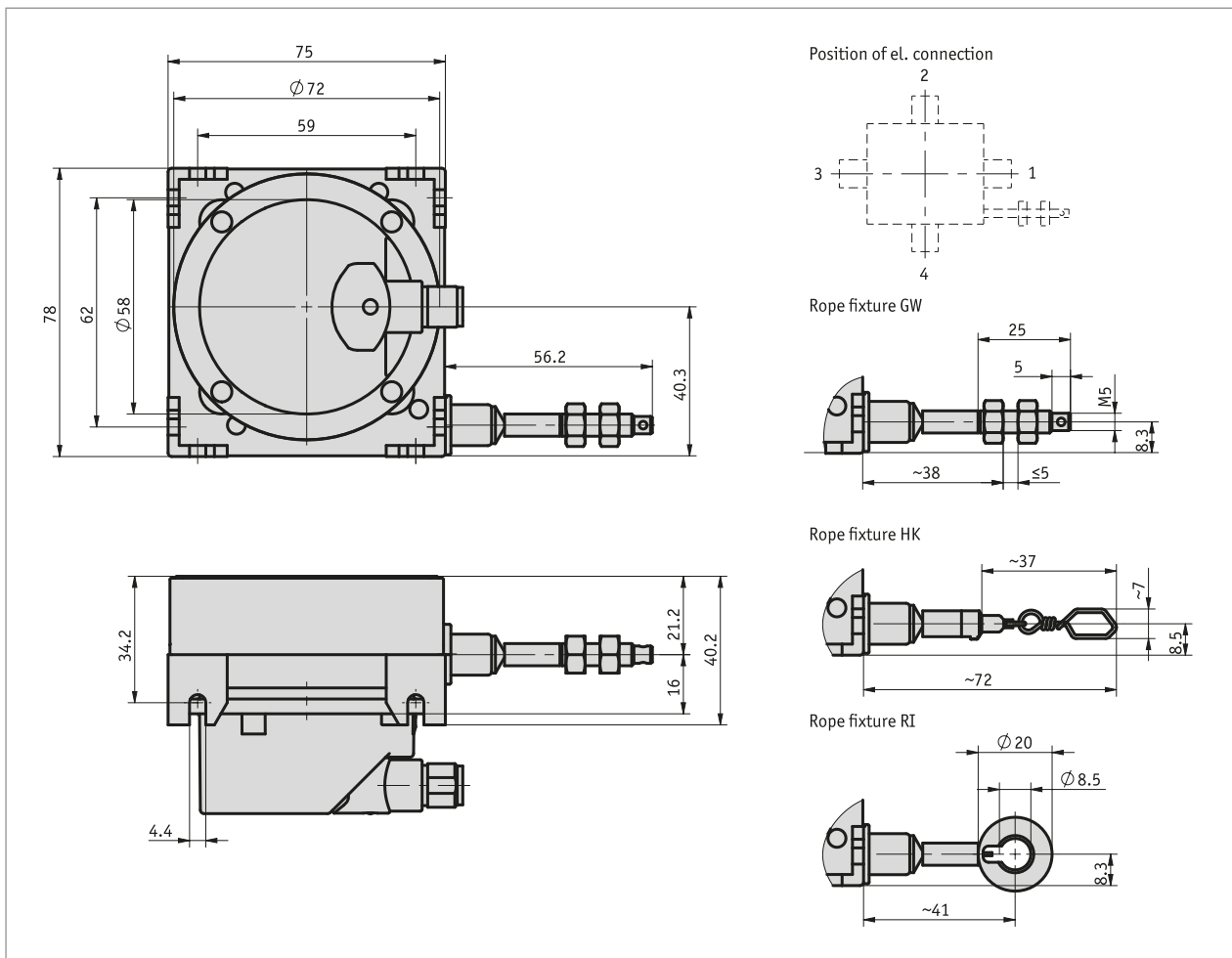


### Profile

- Measuring lengths up to 3000 mm
- Robust design
- Extremely compact design
- Wear-free, magnetic measurement principle
- High tightness at the rope outlet
- Lockable ventilation holes against condensation
- E1 approval by the German Federal Motor Transport Authority (KBA) pending
- With PURE.MOBILE technology



### Mechanical data

Feature	Technical data	Additional information
Housing	zinc die-cast plastic	PA66
Wire design	$\varnothing 0.61$ mm $\varnothing 0.6$ mm	rustproof stainless steel, plastic-coated rustproof stainless steel
Extension force	$\geq 9$ N	
Weight	$\sim 0.5$ kg	

### Electrical data

Feature	Technical data	Additional information
Operating voltage	8 ... 36 V DC	reverse polarity protection
Power input	≤1 W at 36 V	without load
Parameter storage	10 <sup>5</sup> cycles	also applies to calibration operations
Status display	1x two-color LEDs (red/green)	device/CAN status
Power rating	±36 V	CAN interface
Interface	according to ISO 11898-1, not electrically isolated	
Address	1 ... 127	default: 1
Baud rate	20 kbit/s 50 kbit/s 125 kbit/s 250 kbit/s 500 kbit/s 800 kbit/s 1 Mbit/s	default
Cycle time	<10 ms	
Starting time	<1000 ms	
Parameter	according to CiA 301, CiA 303 Part 3, CiA 305, CiA 406	
Type of connection	1x M12-plug connector (A-coded)	5-pole, 1x pin

### System data

Feature	Technical data	Additional information
Scanning	magnetic	
Resolution	14 bit	16384 steps/revolution
Travel speed	≤800 mm/s	

### Ambient conditions

Feature	Technical data	Additional information
Ambient temperature	-40 ... 80 °C	
Storage temperature	-40 ... 80 °C	
EMC	EN 61326-1 EN 61326-3-1 EN 61000-6-2 EN 61000-6-4 ISO 7637-1, -2 ISO / TR 10605 ISO 11452-1, -2, -3, -4, -5	industry immunity requirement, class B emission limit, shielded line required industry immunity requirement, class B emission limit, shielded line required interference resistance / immission emitted interference / emission transient pulses electrostatic discharge (ESD) interference radiation ESA
Protection category	IP65 IP67	EN 60529, installed on the encoder side according to the assembly instructions EN 60529, installed according to assembly instructions and with suitable mating connector
Shock resistance	500 m/s <sup>2</sup> , 11 ms	EN 60068-2-27, half-sine, 3 axes (+/-), each 3 shocks
Vibration resistance	100 m/s <sup>2</sup> , 10 ... 2000 Hz	EN 60068-2-6, 3 axes, each 10 cycles

### pin assignment

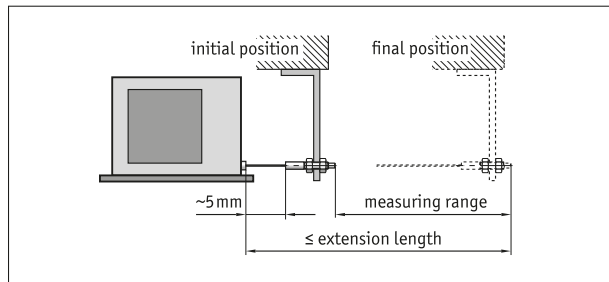
#### ■ E12E

Signal	PIN
nc	1
+UB	2
GND	3
CAN_H	4
CAN_L	5

### Hint for mounting

When securing the wire it must be ensured that the wire is straight and vertical in relation to the wire outlet.

**Recommendation:** Only select the starting position after an unwound length of approx. 5 mm. This prevents the wire hitting the end stop when it is rewound.



Symbolic representation

### Order

#### Ordering table

Feature	Ordering data	Spezifikation	Additional information
Measuring range	A ...	2000, 2500, 3000 in mm	
Rope fixture	B GW HK RI	wire suspension with thread wire suspension with hook wire suspension with ring	
Wire design	C S SK	rustproof stainless steel rustproof stainless steel, plastic-coated	
Position of electrical connection	D 1 2 3 4	direction of wire outlet or axial upward opposite the wire outlet downward	

#### Order key

SG31NE0 -  -  -  - CAN - NR -  - E12E - OK - 0 - S



**Scope of delivery:**  
SG31NE0, Quick Start Guide



**Accessories you can find:**

Cable extension KV05S0	<a href="http://www.siko-global.com">www.siko-global.com</a>
Guide roller UR	<a href="http://www.siko-global.com">www.siko-global.com</a>
Wire extension piece SV	<a href="http://www.siko-global.com">www.siko-global.com</a>
Overview Mating connector	<a href="http://www.siko-global.com">www.siko-global.com</a>
Mating connector, 5-pole, angle socket	Order key 83006
Mating connector, 5-pole, socket	Order key 84109
Bus terminating connector, 5-pole, pin	Order key 82815