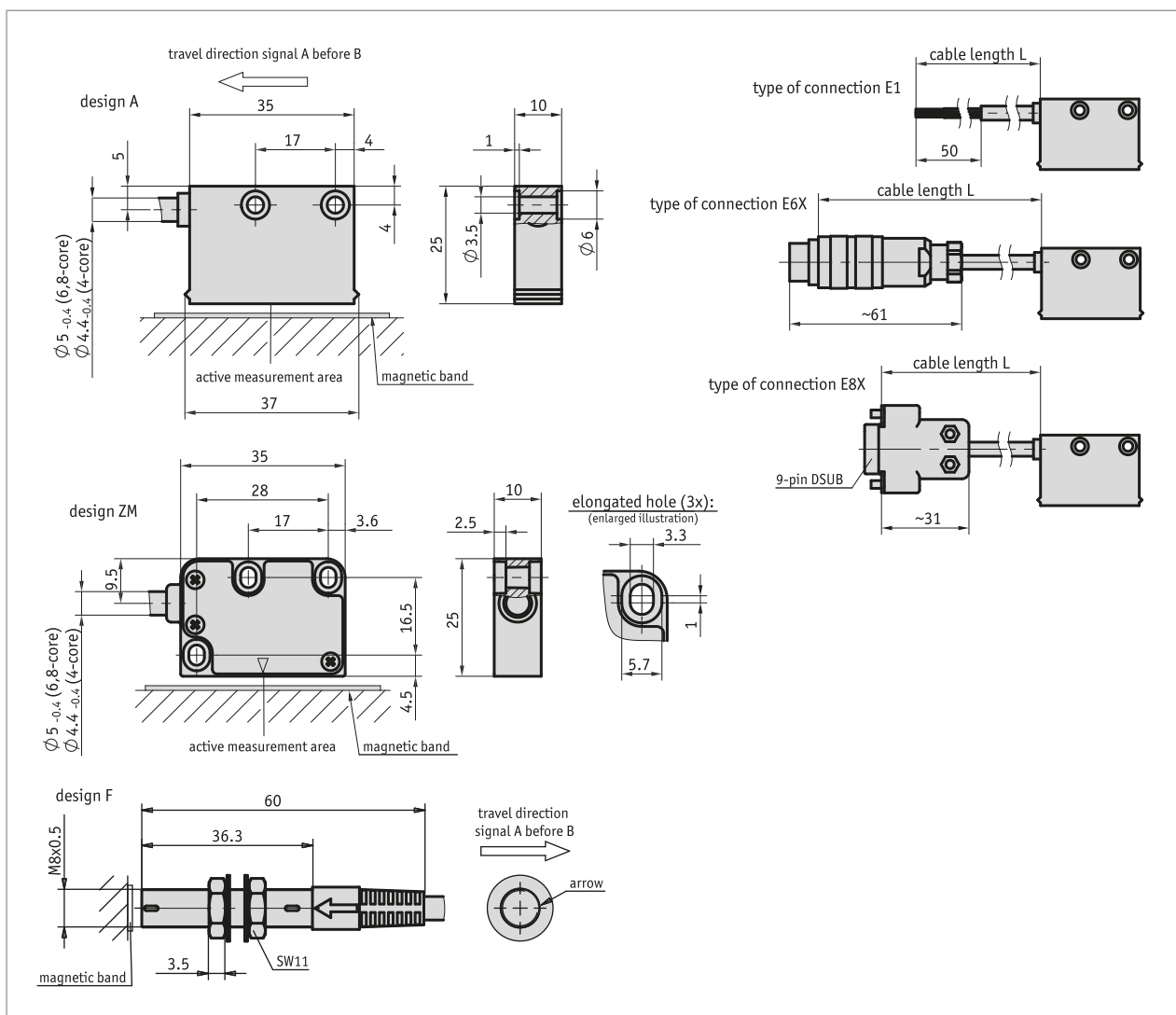
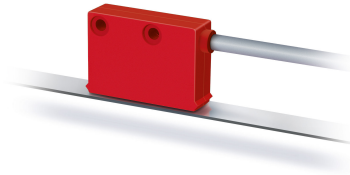


Profile

- Max. resolution 12.5 μm
- max. resolution 0.006° with MR320 or MBR320 (250 poles)
- Repeat accuracy ±0.04 mm
- Repeat accuracy ±1 increment
- Works with MB320/1 magnetic tape, MRI01 or MR320 magnetic ring, MBR320 magnetic tape ring
- Reading distance ≤2 mm
- Max. 16000 pulses/revolution in combination with MR320 or MBR320 (250 poles)
- optionally with reference point R or flexible reference marks FR



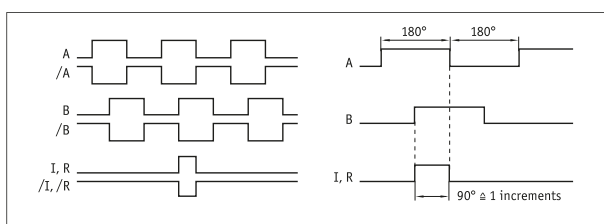
Mechanical data

Feature	Technical data	Additional information
Housing	red plastic	A design
	steel	F design
	zinc die-cast	ZM design
Sensor/strip reading distance	0.1 ... 2 mm	O, I reference signals
	0.1 ... 1.5 mm	R reference signal
	0.4 ... 1 mm	FR reference signal
Sensor/ring reading distance	0.1 ... 2 mm	O, I reference signals
	0.1 ... 1 mm	R reference signal
Cable sheath	PUR, suitable for drag-chain use	4-core ø 4.4 _{-0.4} mm; 5, 6, 8-core ø 5.0 _{-0.4} mm
Cable bending radius	5x cable diameter	static
	7.5x cable diameter	dynamic
Service life of cable	>5 Million cycles	Under the following test conditions: travel 4.5 m travel speed 3 m/s acceleration 5 m/s ² ambient temperature 20 °C ±5 °C.

Electrical data

Feature	Technical data	Additional information
Operating voltage	24 V DC ±20 %	reverse polarity protection
	5 V DC ±5 %	no reverse polarity protection
Current consumption	<20 mA at 24 V DC	unloaded
	<75 mA	loaded
Output circuit	PP, LD (RS422), TTL	PP only at 24 V
Output signals	A, /A, B, /B, I, /I, R, /R, FR, /FR	quadrature signal
Output signal level high	>UB -2.5 V	PP
	>2.5 V	LD
	>2.4 V	TTL
Output signal level low	<0.8 V	PP
	<0.5 V	LD
	<0.4 V	TTL
Latency	1.5 μs	
Jitter	<15 %	0.5 mm reading distance
Pulse width of reference signal	1 Increment(s)	
Real-time requirement	speed-proportional signal output	
Type of connection	open cable end	
	plug connector	7/8-pole
	D-SUB	9-pole

■ Signal image



! The logical condition of signals A and B is not defined in reference to the index signal I or the reference signal R. It can deviate from the signal form.

System data

Feature	Technical data	Additional information
Resolution	0.04, 0.05, 0.08, 0.1, 0.16, 0.2, 0.8 mm	
Scaling factor	1, 4, 5, 8, 10, 16, 20, 64	
Linearity deviation	±30 μm at T _U = 20 °C	1 mm sensor/strip reading distance
Repeat accuracy	±1 Increment(s)	
Measuring range	∞	
Circumferential speed	≤25 m/s	≤3.2 m/s referencing speed
Travel speed	≤25 m/s	≤3.2 m/s referencing speed

Ambient conditions

Feature	Technical data	Additional information
Ambient temperature	-10 ... 70 °C	
Storage temperature	-30 ... 80 °C	
Relative humidity	100 %	condensation admissible
EMC	EN 61000-6-2	interference resistance / immission
	EN 61000-6-4	emitted interference / emission
Protection category	IP67	EN 60529
Shock resistance	500 m/s ² , 11 ms	EN 60068-2-27
Vibration resistance	<100 m/s ² , 5 ... 150 Hz	EN 60068-2-6

pin assignment

■ Not inverted without reference signal

Signal	E1	E6X	E8X
GND	black	1	1
+UB	brown	2	2
A	red	3	3
B	orange	4	4
nc		5	5
nc		6	6
nc		7	7
nc			8
nc			9

■ Inverted with reference signal

Signal	E1	E6X	E8X
A	red	1	1
B	orange	2	2
I	blue	3	3
+UB	brown	4	4
GND	black	5	5
A/	yellow	6	6
B/	green	7	7
I/	violet	8	8
nc			9

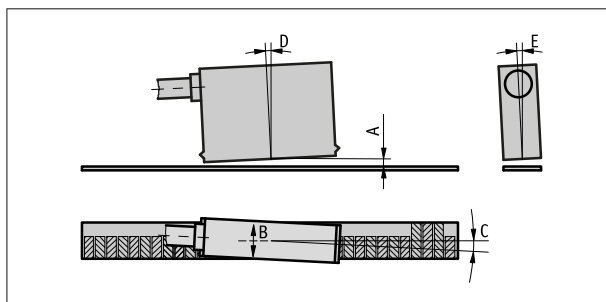
■ Inverted without reference signal

Signal	E1	E6X	E8X
A	red	1	1
B	orange	2	2
nc		3	3
+UB	brown	4	4
GND	black	5	5
A/	yellow	6	6
B/	green	7	7
nc			8
nc			9

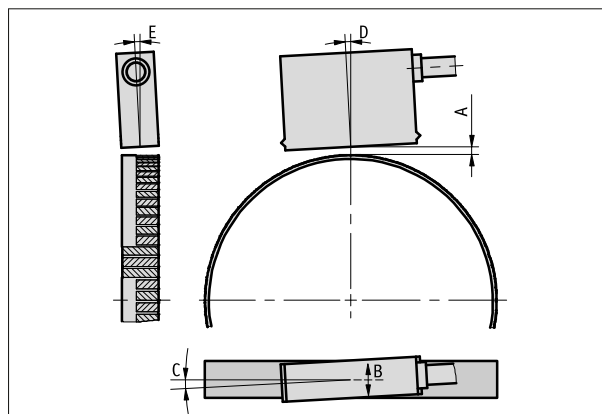
Hint for mounting

For systems with reference points on the magnetic tape please take care that sensor and strip are correctly aligned (see picture).

Reference signal	O, I	R	FR
A, Sensor/tape reading distance	≤2 mm	≤1.5 mm	0.4 ... 1.0 mm
B, Lateral offset	±2 mm	±0.5 mm	±0.5 mm
C, Alignment error	±3°	±3°	±3°
D, Longitudinal inclination	±1°	±1°	±1°
E, Lateral inclination	±3°	±3°	±3°



(Sensor representation symbolic)



(Sensor representation symbolic)

Order

■ Ordering information

One or more system components are required:

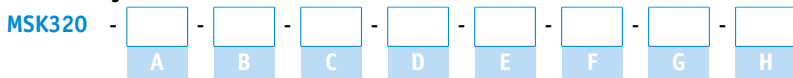
Magnetic ring MR320
 Magnetic ring MRI01
 Magnetic band ring MBR320



www.siko-global.com
www.siko-global.com
www.siko-global.com

■ Ordering table

Feature	Ordering data	Spezifikation	Additional information
Operating voltage	A 4 5	24 V DC ±20 %	reverse polarity protection
		5 V DC ±5 %	A voltage drop is to be expected with increasing cable length. This must be taken into account in the electrical design.
design	B A ZM F	rectangular	not for operating voltage 4 and output circuit LD only with NI output signal, 0 reference signal and scaling factor 8
		metal housing without status LEDs	
		round	
Type of connection	C E1 E6X E8X	open cable end	
		bullet connector without mating connector	
		D-SUB 9-pole without mating connector	
		extension cables on request	
Cable length	D ...	02.0 ... 20 m, in intervals of 1 m others on request	
Output circuit	E PP LD TTL	push-pull	only operating voltage 4
		LineDriver	
			only with non-inverted output signal, ≤ 5 m cable length
output signal	F NI I	not inverted	only with A or ZM design and I or R reference signal
		inverted	
reference signal	G 0 I R FR	without	only with A or ZM design, index signal every 3.2 mm only with A or ZM design, not with scaling factor 1 only for ZM design and MB320/1 magnetic tape
		periodic index	
		fixed reference	
		flexible reference	
linear resolution/ radial scaling factor	H ...	0.0125/64, 0.04/20, 0.05/16, 0.08/10, 0.1/8, 0.16/5, 0.2/4, 0.8/1 others on request	

■ Order key



	Scope of delivery: MSK320, Fastening set, Installation Instructions
	Accessories you can find: Installation tool ZB3054 Flexible reference mark www.siko-global.com www.siko-global.com