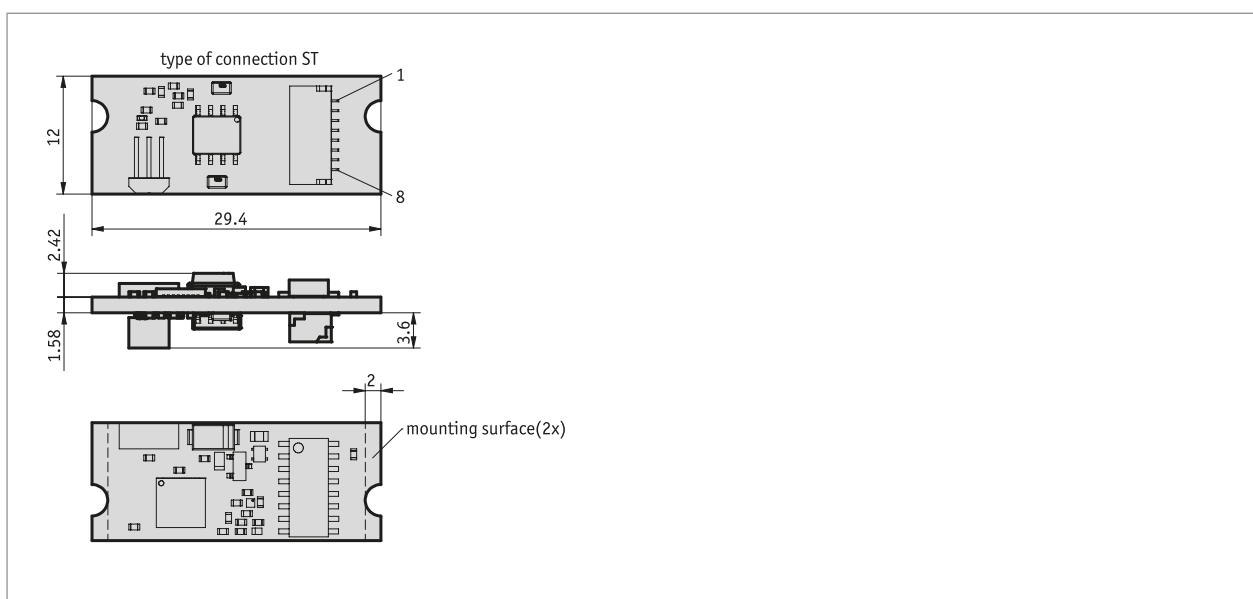


### Profile

- Max. resolution of 0.25  $\mu\text{m}$
- Incremental board solution
- Non-contact magnetic scanning
- Small and compact installation dimensions
- optionally with reference point R or flexible reference marks FR
- Programmable via programming tool PT8000



### Mechanical data

Feature	Technical data	Additional information
Sensor/band reading distance	0.1 ... 1 mm	I reference signals
	0.1 ... 0.5 mm	R reference signal
	0.4 ... 0.5	FR reference signal
Housing design	open circuit board	

### Electrical data

Feature	Technical data	Additional information
Operating voltage	4.75 ... 24	reverse polarity protection
Current consumption	150 mA	loaded
	50 mA at 24 V DC	unloaded
Output circuit	PP	at operating voltage 4.75 ... 24 V DC
	LD	with operating voltage 4.75 ... 6 V DC
Output signals	A, /A, B, /B, I, /I, R, /R, FR, /FR	
Output signal level high	>UB - 2.5 V	PP
Output signal level low	<0.8 V	LD
Type of connection	solder connection	8-pole
	pin connector	8-pole
	JST connector	8-pole

### System data

Feature	Technical data	Additional information
Pole length	2 mm	
Resolution	0.00025, 0.0004, 0.001, 0.002, 0.004, 0.005, 0.01 mm	
System accuracy	$\pm(0.015 + 0.01 \times L)$ mm, L in m	
Repeat accuracy	$\pm 2$ µm	
Measuring range	$\infty$	
Travel speed	$\leq 25$ m/s	

### Ambient conditions

Feature	Technical data	Additional information
Ambient temperature	0 ... 50 °C	
Storage temperature	-20 ... 70	
Relative humidity	95 %	condensation inadmissible

### Order

#### ■ Ordering information

One or more system components are required:

Magnetic tape MB200/1

Magnetic ring MR200

Magnetic band ring MBR200

[www.siko-global.com](http://www.siko-global.com)

[www.siko-global.com](http://www.siko-global.com)

[www.siko-global.com](http://www.siko-global.com)

#### ■ Ordering table

Feature	Ordering data	Spezifikation	Additional information
reference signal	A I R FR	periodic index fixed reference flexible reference	
Resolution	B ...	0.00025, 0.0004, 0.001, 0.002, 0.004, 0.005, 0.010 others on request	
Pulse interval	C ...	0.1, 0.25, 0.50, 1, 2, 4	

#### ■ Order key

MSK200P - ST - A - B - C



**Scope of delivery:**  
MSK200P, Quick Start Guide



**Accessories you can find:**  
Flexible reference mark

Order key 88678