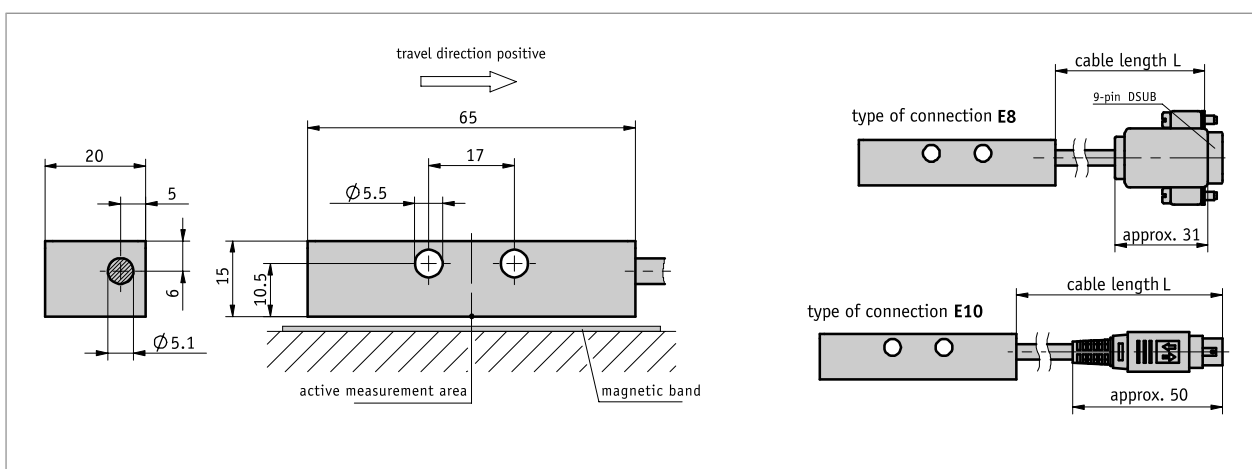


### Profile

- To be connected to magnetic displays MA505 and MA561
- Max. resolution depends on downstream electronics unit
- Repeat accuracy depends on downstream electronics unit
- Reading distance  $\leq 1$  mm
- Max. measuring length 5120 mm



### Mechanical data

Feature	Technical data	Additional information
Housing	aluminum natural chromated	
Sensor/band reading distance	$\leq 1$ mm	
Cable sheath	PVC	

### Electrical data

Feature	Technical data	Additional information
Operating voltage	supply via downstream electronic unit	
Current consumption	see downstream electronics	
Type of connection	D-SUB	9-pole, 1x pin (E8 type of connection)
	mini-DIN	8-polig, 1x Stift (Anschlussart E10)

### System data

Feature	Technical data	Additional information
Resolution	depending on display / downstream electronic unit	
System accuracy	$\pm(0.05 + 0.03 \times L)$ mm, L in m at $T_U = 20^\circ \text{C}$	
Repeat accuracy	0.01 mm	
Measuring range	$\leq 5120$ mm	
Travel speed	$\leq 5$ m/s	

### Ambient conditions

Feature	Technical data	Additional information
Ambient temperature	0 ... 60 °C	
Storage temperature	-20 ... 80 °C	
Relative humidity	100 %	condensation admissible
Protection category	IP67	EN 60529 (sensor head)
Shock resistance	500 m/s <sup>2</sup> , 11 ms	EN 60068-2-27
Vibration resistance	<100 m/s <sup>2</sup> , 5 ... 150 Hz	EN 60068-2-6

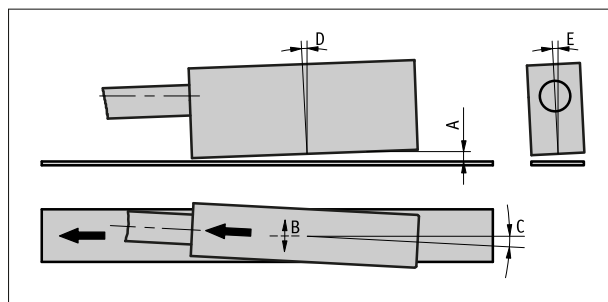
### pin assignment

Signal	PIN E8	PIN E10
nc	1	2
LK14A	2	1
SENS DATA	3	3
LK14B	4	5
nc	5	
CLK	6	4
+5V	7	8
GND	8	6
STR	9	7

### Hint for mounting

When mounting sensor and magnetic tape, please be careful to align both system components correctly. The arrow marks on the tape and sensor must point in the same direction when mounting the components.

A, Sensor/tape reading distance	≤1 mm
B, Lateral offset	±1 mm
C, Alignment error	±2°
D, Longitudinal inclination	±1°
E, Lateral inclination	±3°



(Sensor representation symbolic)

### Order

#### ■ Ordering information

One or more system components are required:

Magnetic tape MBA

[www.siko-global.com](http://www.siko-global.com)

#### ■ Ordering table

Feature	Ordering data	Spezifikation	Additional information
Type of connection	A E8 E10	D-SUB mini-DIN connector	
Cable length	B ...	02.0 ... 20 m, in intervals of 1 m others on request	

#### ■ Order key



#### Scope of delivery:

MSA, Fastening set, User information, Snap ferrite on sensor cable