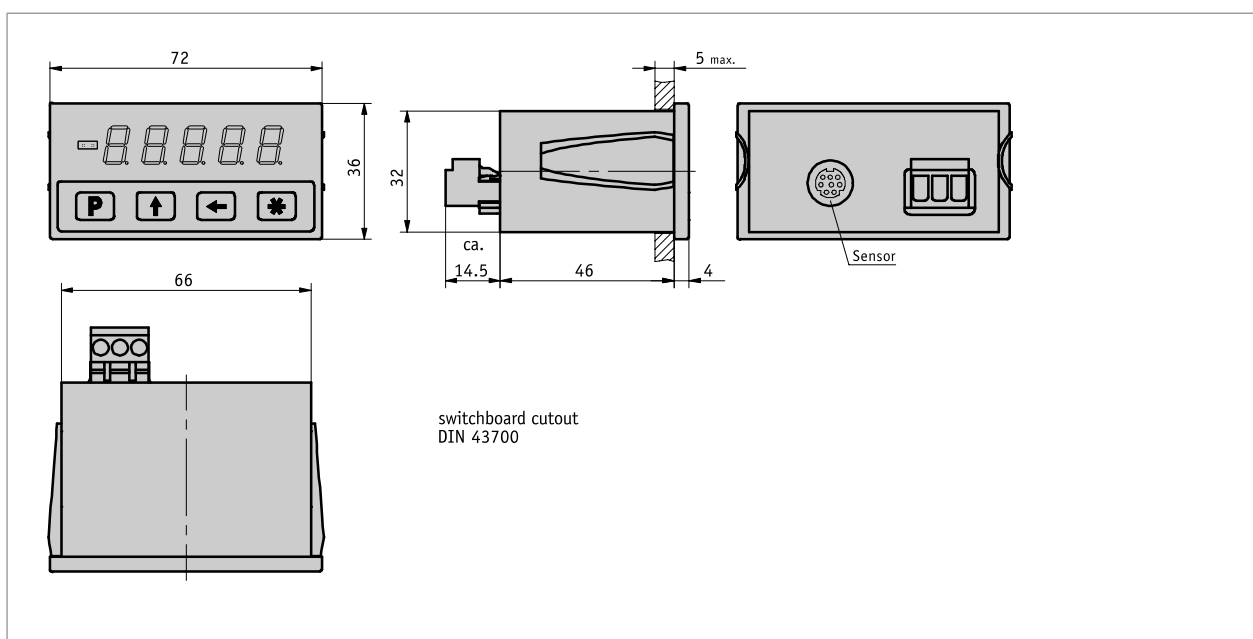


Profile

- Display accuracy max. 10 μm
- Repeat accuracy max. $\pm 0.01 \text{ mm}$
- Incremental measurement and calibration function
- Direct reference/offset value input
- Calibration input
- Works with sensor MSA



Mechanical data

Feature	Technical data	Additional information
Housing design	built-in housing, plastic (transparent red)	Control panel excerpt $68^{+0.7} \times 33^{+0.6}$ IEC 61554

Electrical data

Feature	Technical data	Additional information
Operating voltage	10 ... 30 V DC	
Current consumption	50 mA at 24 V DC	
Display/display range	5-digit, LED 7-segment, 10 mm height red	-99999 ... 99999
Type of connection	screw terminal strip	3-pole (supply)
	mini-DIN	8-pole, 1x socket (MSA sensor)

System data

Feature	Technical data	Additional information
Resolution	0.01, 0.05, 0.1, 1 mm 0.001, 0.01 in	programmable angle display
System accuracy	$\pm(0.05 + 0.03 \times L)$ mm, L in m at $T_U = 20^\circ\text{C}$	
Repeat accuracy	± 0.01 mm	± 1 increment
Travel speed	≤ 5 m/s	

Ambient conditions

Feature	Technical data	Additional information
Ambient temperature	0 ... 50 °C	
Storage temperature	-20 ... 85 °C	
Relative humidity	$\leq 95\%$	condensation inadmissible
EMC	EN 61000-6-2 EN 61000-6-4	interference resistance / immission emitted interference / emission
Protection category	IP40 whole device IP60 at the front with switchboard installation	EN 60529 EN 60529

pin assignment

Signal

CAL
+UB
GND

Order

■ Ordering information

One or more system components are required:

Magnetic sensor MSA

www.siko-global.com

■ Order key

MA561 - MSA



Scope of delivery:

MA561, Installation Instructions