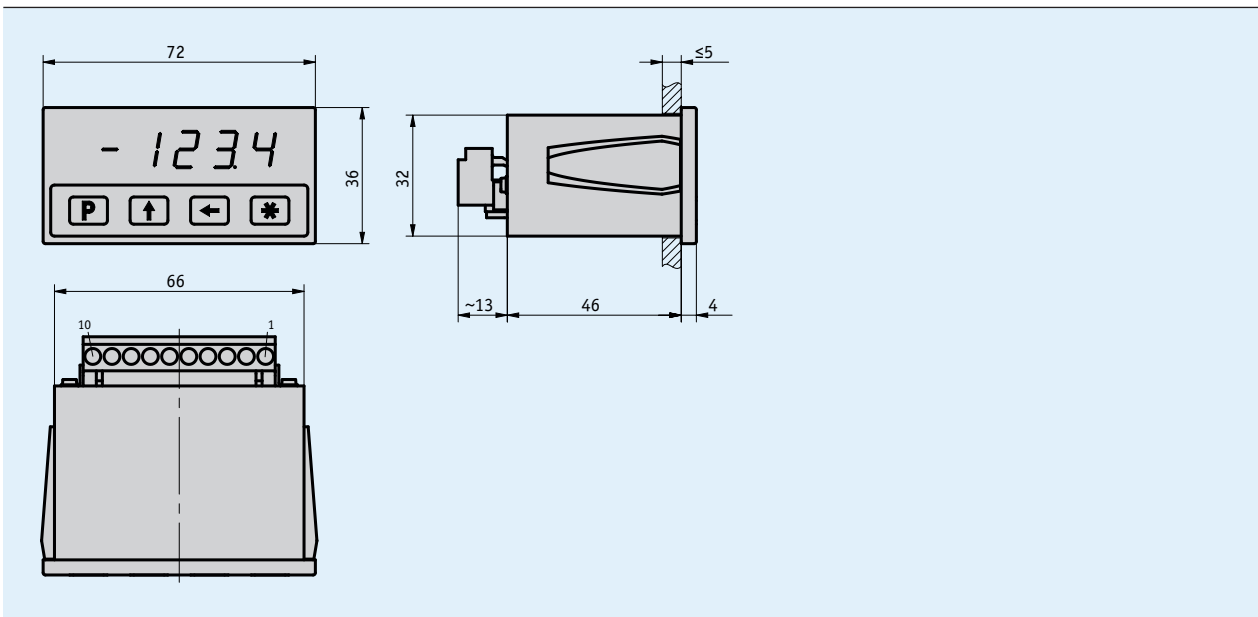


Profile

- LED display (1 line of 4 digits)
- Voltage, current and resistor inputs for length and angle measurement
- Free programming via front keyboard
- Non-volatile parameter storage (EEPROM)
- 2 switching outputs (limit-dependent, programmable)
- Compact design



Mechanical data

Feature	Technical data	Additional information
Housing	plastic	switchboard cutout 68 ^{+0.7} x 33 ^{+0.6} IEC 61554
Weight	~0.1 kg	

Electrical data

Feature	Technical data	Additional information
Operating voltage	10 ... 30 V DC	
Current consumption	~80 mA	at 24 V DC, without encoder
Analog inputs	1 ... 10 V DC 0 ... 20 mA or 4 ... 20 mA 0 ... 10 kΩ	voltage current resistance
Display/display range	4-digit, LED 7 segment, red	-9999 ... 9999
Keys	membrane keys with pressure point	
Temperature drift	<1 %	
Switching outputs	≤30 V, ≤100 mA	2x open collector output
Accuracy	≤0.1 %	
Type of connection	connector	10-pole

System data

Feature	Technical data	Additional information
Resolution	≤10 bit	

Ambient conditions

Feature	Technical data	Additional information
Ambient temperature	0 ... 50 °C	
Storage temperature	-20 ... 80 °C	
Relative humidity	≤95 %	condensation inadmissible
EMC	EN 61000-6-2 EN 61000-6-4	interference resistance / immission emitted interference / emission
Protection category	IP40 whole device IP60 on the front with switchboard installation	EN 60529 EN 60529

Pin assignment

Signal Resistance measurement	Signal Voltage measurement	Signal Current measurement	PIN
nc	nc	I+ (0 ... 20 mA, 4 ... 20 mA)	1
Potentiometer E (end position)	nc	nc	2
Potentiometer S (wiper)	nc	nc	3
nc	U+ (0 ... 10 V)	nc	4
nc	nc	I- (0 ... 20 mA, 4 ... 20 mA)	5
potentiometer A (initial position)	U-	nc	6
switching output 0 (upper limit)	switching output 0 (upper limit)	switching output 0 (upper limit)	7
switching output U (lower limit)	switching output U (lower limit)	switching output U (lower limit)	8
+ Ub Operating voltage	+ Ub Operating voltage	+ Ub operating voltage	9
0 V GND	0 V GND	0 V GND	10

Order

- Order key

MA50

Scope of delivery: MA50, Mounting instructions