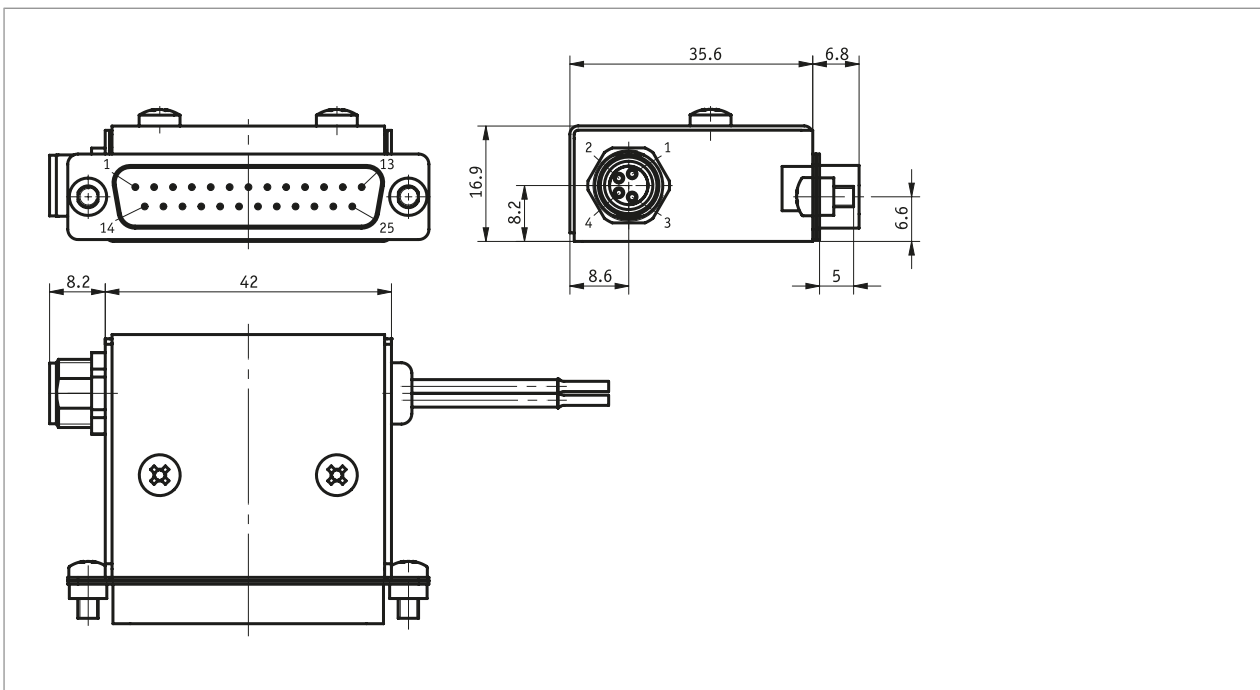
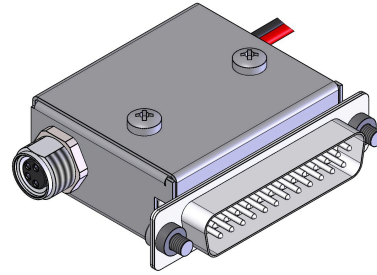


Profile

- easy adaptation to the ETC5000 (25-pole DSUB pin)
- M8 socket (for bus connection)
- integrated bus termination
- feed-in of the bus operating voltage for position indicators



Mechanical data

Feature	Technical data	Additional information
Housing	metal	

Electrical data

Feature	Technical data	Additional information
Operating voltage	24 V DC	bus, 2 strands, feed to ETC5000
Type of connection	D-SUB	25-pole, 1x pin (RS485, suitable for ETC5000)
	M8 plug connector	4-pole, 1x socket (bus, suitable for SIKONETZ5)

Ambient conditions

Feature	Technical data	Additional information
Protection category	IP20	EN 60529

pin assignment

■ RS485, 25-pole D-SUB

Signal	PIN
GND	1
Do not connect!	2 ... 6
GND	7
Do not connect!	8
nc	9 ... 11
DÜA	12
DÜB	13
Do not connect!	14 ... 20
+5 V Out (for level determination)	21
Do not connect!	22 ... 25

■ RS485, 4-pole M8

Signal	PIN
DÜB	1
DÜA	2
+UB	3
GND	4

■ Operating voltage

Assignment	Cable color
+UB	red
GND	black

Order

■ Order key

KA485ETC



Scope of delivery:

KA485ETC



Accessories you can find:

Cable extension KV04S1
 Overview Mating connector
 Mating connector, 4-pole, pin

www.siko-global.com
www.siko-global.com
 Order key 84210