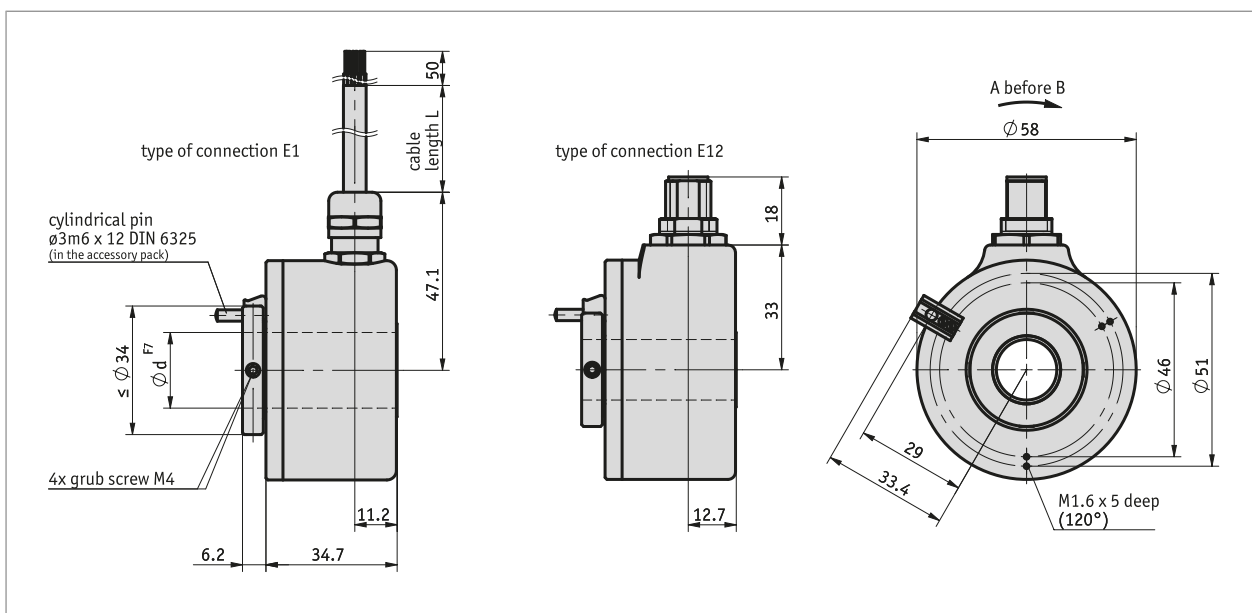


Profile

- Resolution max. 5000 pulses/revolution
- Through hollow shaft up to max. $\varnothing 15$ mm
- Robust bearing construction
- $-40 \dots 85^\circ \text{C}$ operating temperature
- High shock and vibration resistance



Mechanical data

Feature	Technical data	Additional information
shaft	rustproof stainless steel	
Housing	die-cast	
Speed	$\leq 12000 \text{ min}^{-1}$	IP65
	$\leq 6000 \text{ min}^{-1}$	IP65 continuous operation
	$\leq 6000 \text{ min}^{-1}$	IP66/IP67
	$\leq 3000 \text{ min}^{-1}$	IP66/IP67 continuous operation
Moment of inertia	$\sim 6 \times 10^{-6} \text{ kgm}^2$	
Starting torque	$< 0.01 \text{ Nm}$ at 20°C	IP65
	$< 0.05 \text{ Nm}$ at 20°C	IP66/IP67
Shaft load rating	100 N	radial
	50 N	axial
Cable sheath	PVC	$\sim \varnothing 6.7 \text{ mm}$
Cable bending radius	75 mm	static
	110 mm	dynamic
Weight	$\sim 0.4 \text{ kg}$	

Electrical data

■ PP output circuit

Feature	Technical data	Additional information
Operating voltage	10 ... 30 V DC	reverse polarity protected, the power-supply unit corresponds to Class 2 (UL 1310)
Current consumption	50 mA, typical	≤100 mA (no load)
Output signal level high	≥UB - 1.0 V	short-circuit proof
Output signal level low	≤0.5 V	short-circuit proof
Pulse frequency	≤300 kHz	
Load	±20 mA	max. adm.
Type of connection	1x M12-plug connector	5-pole, 1x pin

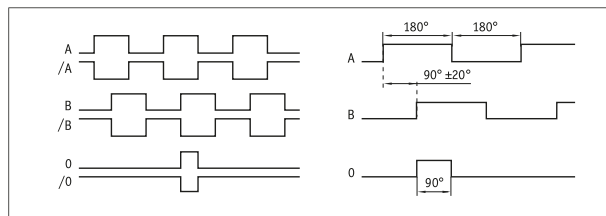
■ OP output circuit

Feature	Technical data	Additional information
Operating voltage	10 ... 30 V DC	reverse polarity protected, the power-supply unit corresponds to Class 2 (UL 1310)
Current consumption	50 mA, typical	≤100 mA (no load)
Output signal level high	≥UB - 1.0 V	short-circuit proof
Output signal level low	≤0.5 V	short-circuit proof
Pulse frequency	≤300 kHz	
Load	±20 mA	max. adm.
Type of connection	open cable end 1x M23-plug connector	12-pole, 1x pin

■ LD output circuit

Feature	Technical data	Additional information
Operating voltage	5 ... 30 V DC	reverse polarity protected, the power-supply unit corresponds to Class 2 (UL 1310)
Current consumption	40 mA, typical	≤90 mA (no load)
Output signal level high	≥2.5 V	short-circuit proof, not against UB
Output signal level low	≤0.5 V	short-circuit proof, not against UB
Pulse frequency	≤300 kHz	
Load	±20 mA	max. adm.
Type of connection	open cable end 1x M23-plug connector	12-pole, 1x pin

■ Signal image



System data

Feature	Technical data	Additional information
Approval	UL	UL 61010-1, File No. E503367

■ Characteristics of functional safety

Feature	Technical data	Additional information
MTTFd	61.7 Year(s)	

Ambient conditions

Feature	Technical data	Additional information
Ambient temperature	-40 ... 85 °C	connector
	-30 ... 85 °C	static laying of cables
	-20 ... 85 °C	dynamic laying of cables
EMC	EN 61326-1	immunity requirement of industry
Safety regulations	UL 61010-1	indoor use, outdoor use possible, not intended for use involving direct exposure to UV light.
		Environment dry / wet.
		Protection class III as per EN 61140.
		Pollution degree 2 as per EN 61010.
Protection category	IP65, IP66/IP67	EN 60529 (protection type not yet reviewed by UL)
Shock resistance	3000 m/s ² , 6 ms	EN 60068-2-27
Vibration resistance	300 m/s ² , 10 ... 2000 Hz	EN 60068-2-6

pin assignment

■ Output circuit, LD, PP OP

Signal OP, LD	"Signal PP"	Cable color E1
/B	nc	Pink
+SUB (sense line)	+SUB (sense line)	red-blue
0	0	blue
/0	nc	red
A	A	green
/A	nc	yellow
B	B	gray
GND	GND	white
SGND (sense line)	SGND (sense line)	gray-pink
+UB	+UB	brown

■ PP output circuit

Signal	PIN E12
GND	1
+UB	2
A	3
B	4
0	5

■ Output circuit LD, OP

Signal	PIN E2
/B	1
+SUB (sense line)	2
0	3
/0	4
A	5
/A	6
nc	7
B	8
nc	9
GND	10
SGND (sense line)	11
+UB	12

Order

■ Ordering table

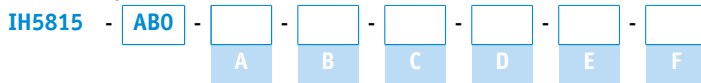
Feature	Ordering data	Spezifikation	Additional information
pulses/revolution	A ...	50, 64, 100, 200, 250, 256, 300, 360, 400, 500, 512, 600, 800, 1000, 1024, 1200, 2000, 2048, 2500, 3600, 4000, 4096, 5000	
Type of connection	B E1 E2 E12	open cable end plug M23 M12 plug	tangential, only with OP, LD radial, only with OP, LD radial, only with PP
Cable length	C ... OK	01.0, 02.0, 03.0, 04.0, 05.0, 06.0, 08.0, 10.0, 15.0, 20.0 in m without	only at E1 only with E2
Output circuit	D PP OP LD	push-pull push-pull with inversion LineDriver	
hollow shaft/diameter	E ...	6, 8, 10, 12, 14, 15 in mm	
Protection category	F IP65	IP65	

Incremental encoder IH5815

Robust optical standard rotary encoder, hollow shaft

Feature	Ordering data	Spezifikation	Additional information
	IP66/67	IP66/IP67	

■ Order key



Scope of delivery:

IH5815, Quick Start Guide



Accessories you can find:

Cable extension KV05S0, with PP

www.siko-global.com

Cable extension KV12S1, with OP and LD

www.siko-global.com

Overview Mating connector

www.siko-global.com

Mating connector, with OP and LD, 12-pole, socket

Order key 81935

Mating connector, with PP, 5-pole, socket

Order key 84109