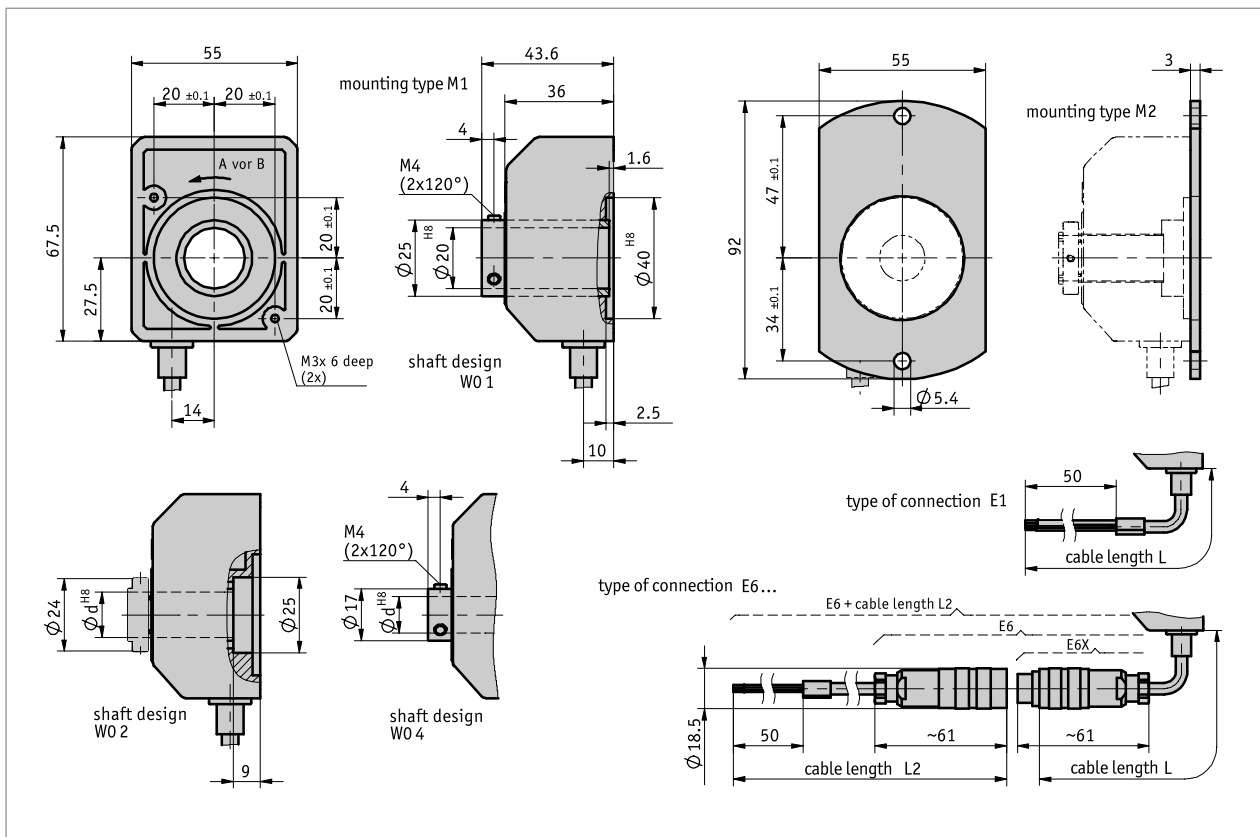


Profile

- Resolutions of max. 1024 pulses/revolution
- Through hollow shafts up to $\varnothing 20$ mm
- Housing made of impact-resistant plastic
- Low-cost version



Mechanical data

Feature	Technical data	Additional information
shaft	black-finished steel	
Housing	reinforced plastic	
Speed	≤600 min ⁻¹	W01 shaft design
	≤6000 min ⁻¹	W02, W04 shaft design
Moment of inertia	~10.5 × 10 ⁻⁶ kgm ²	W01 shaft design
	~9.5 × 10 ⁻⁶ kgm ²	W02 shaft design
	~9 × 10 ⁻⁶ kgm ²	W04 shaft design
Starting torque	≤15 Ncm at 20 °C	W01 shaft design
	≤1.5 Ncm at 20 °C	W02, W04 shaft design
Shaft load rating	10 N, axial	W01 shaft design
	20 N, radial	W01 shaft design
	25 N, axial	W02, W04 shaft design
	50 N, radial	W02, W04 shaft design
Cable sheath	PVC or PUR	
Weight	~0.14 kg	

Electrical data

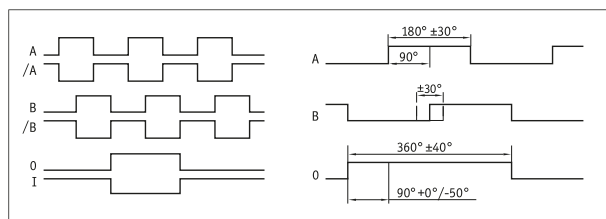
■ PP output circuit

Feature	Technical data	Additional information
Operating voltage	10 ... 30 V DC	reverse polarity protection
Current consumption	50 mA, typical	without load (ABO output signals)
Output signal level high	UB - 2 V at 20 mA	
Output signal level low	≤1 V at 20 mA	
Pulse frequency	≤25 kHz	
Phasing	90° ±30°	
Load	±40 mA, short-circuit proof	max. adm.

■ OC output circuit

Feature	Technical data	Additional information
Operating voltage	10 ... 30 V DC	reverse polarity protection
Current consumption	50 mA, typical	without load (ABO output signals)
Output signal level high	wiring-dependent	
Output signal level low	≤0.1 V DC	
Pulse frequency	≤25 kHz	
Phasing	90° ±30°	
Load	±50 mA	max. adm.

■ Signal image



Ambient conditions

Feature	Technical data	Additional information
Ambient temperature	0 ... 60 °C	
Storage temperature	-20 ... 80 °C	
Protection category	IP54	EN 60529
Shock resistance	2000 m/s ² , 6 ms	EN 60068-2-27
Vibration resistance	100 m/s ² , 50 Hz	EN 60068-2-6

pin assignment

■ Output circuit PP, OC

Signal	E1	E6X, E6
GND	gray	1
A	yellow	2
B	white	3
O/I	green	4
+UB	brown	5
nc		6
nc		7

Order

■ maximum pulses in output signals

Output signal	Plain bearing W01	Ball bearing W02, W04
AXX	500	1024
ABX	250	500
AB0	220	250
ABI	220	250

 The max. permissible pulses/revs. must not be exceeded by the output signals.

■ Ordering table

Feature	Ordering data	Spezifikation	Additional information
Output signals	A ...	AXX, ABX, AB0, ABI	
pulses/revolution	B ...	1, 2, 5, 10, 20, 25, 36, 40, 50, 60, 70, 80, 100, 125, 150, 180, 200, 220, 240, 250, 300, 360, 400, 500, 600, 1000, 1024 others on request	
Cable sheath	C PUR PVC	PUR, oil-resistant PVC	
Type of connection	D E1 E6 E6X	open cable end cable coupler with cable extension cable coupler	
cable length l	E 00.3	0.3 m 02.0 ... 40 m, in intervals of 1 m 00.3, 02.0, 03.0	only PVC only PVC only PUR
cable length l2	F 00.3	0.3 m 02.0 ... 15 m, in intervals of 1 m 00.3, 02.0, 03.0	only PVC only PVC only PUR
Mounting type	G 1 2	with blind borehole with mounting plate	
Output circuit	H PP OC	push-pull open collector	
shaft design	I W01 W02 W04	setscrew/friction bearing clamping ring/ball bearing setscrew/ball bearing	
hollow shaft/diameter	J 20	20 mm 14, 15 mm 10, 12 mm	with W01 with W02 with W04

■ Order key

IG06 - - - - - - - - - -

A B C D E F G H I J



Scope of delivery:
IG06



Accessories you can find:
Cable extension KV07S0

www.siko-global.com