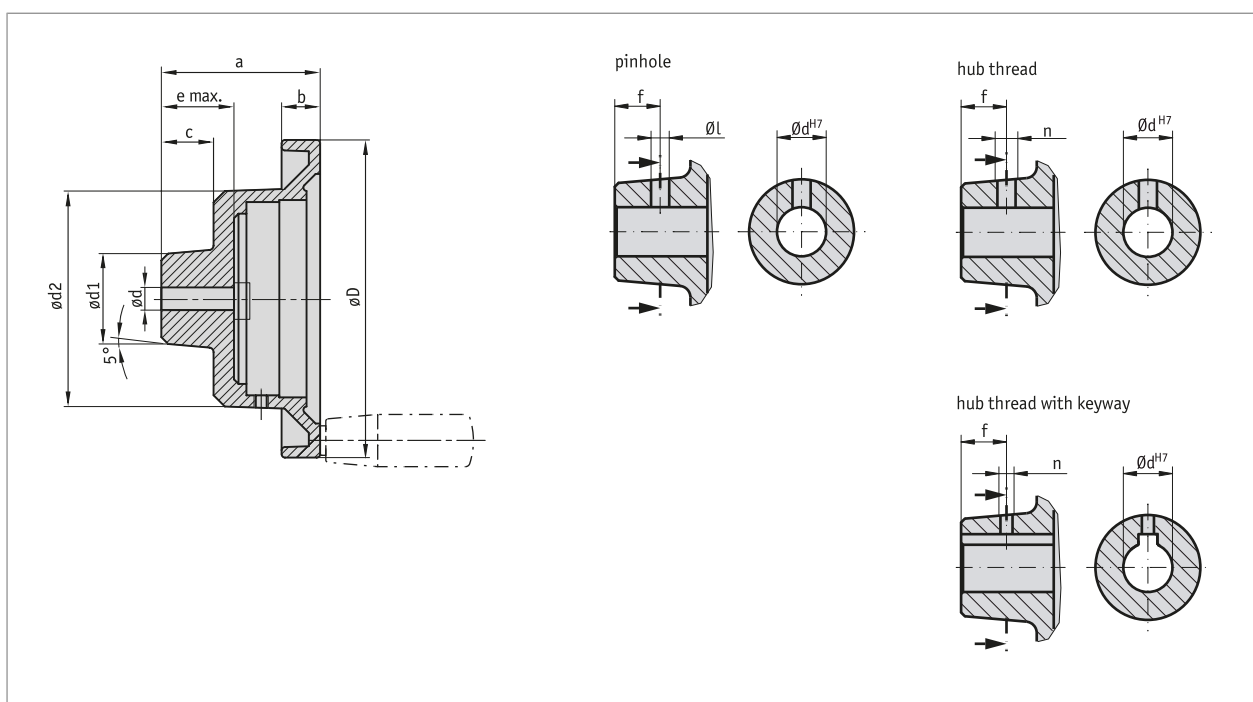


Profile

- Classical handwheel made of aluminum casting
- Plastic-coated or bright-finished surface
- Various hub versions
- Turning handle as an option (see accessories)



Mechanical data

Feature	Technical data	Additional information
Material	aluminum	
Weight	0.7 kg	HK16

■ Dimensions

øD	ødv	ødx	ød1	ød2	a	b	c	e	GfG	Suitable for
160	7.8	25	40	95	70	20	23	28	M8	S80/1; SZ80/1

dv = d pre-drilled; dx = d max.; GfG = thread for handle

■ special processing

Handwheel type	HK16							
Bore dH7	7, 8	9, 10	11, 12	13 ... 17	18 ... 21	22	23 ... 25	
Groove width with keyway JS9		3	4	5	6	6	8	
Pin hole	3.8/12	3.8/12	3.8/12	4.8/12	4.8/12	4.8/12	4.8/12	
Hub thread without keyway JS9	M4/12	M4/12	M4/12	M6/12	M6/12	M6/12	M6/12	
Hub thread with keyway JS9		M3/12	M3/12	M4/12	M5/12			

Highlights in orange are order features.

Order

■ Ordering table

Feature	Ordering data	Spezifikation	Additional information
surface	A	B	unpainted
		C	plastic-coated, light gray hammertone
			others on request
handle bore	B	OG	without handle bore
		...	M8 with handle drill hole or handle thread
Bore diameter	C	7.8	prebored
		...	08 ... 25 mm, in steps of 1 mm
feather key groove	D	OP	without feather key groove
		JS9	Light fit
		P9	Tight fit
Pinhole	E	OS	without pin hole
		...	Diameter "ø"/dimension "f" (e.g., 3.8/12)"
			others on request
hub thread	F	ONG	without hub thread
		...	Thread "n"/dimension "f" (e.g., M4/12)"
			others on request
tapered hub	G	OAN	without twisted hub
			others on request
position indicator	H	PM	Position indicator mounted
		PS	Separate position indicator

■ Order key



 Scope of delivery: HK16	
 Accessories you can find: Analog position indicator S80/1 Analog position indicator SZ80/1	www.siko-global.com www.siko-global.com