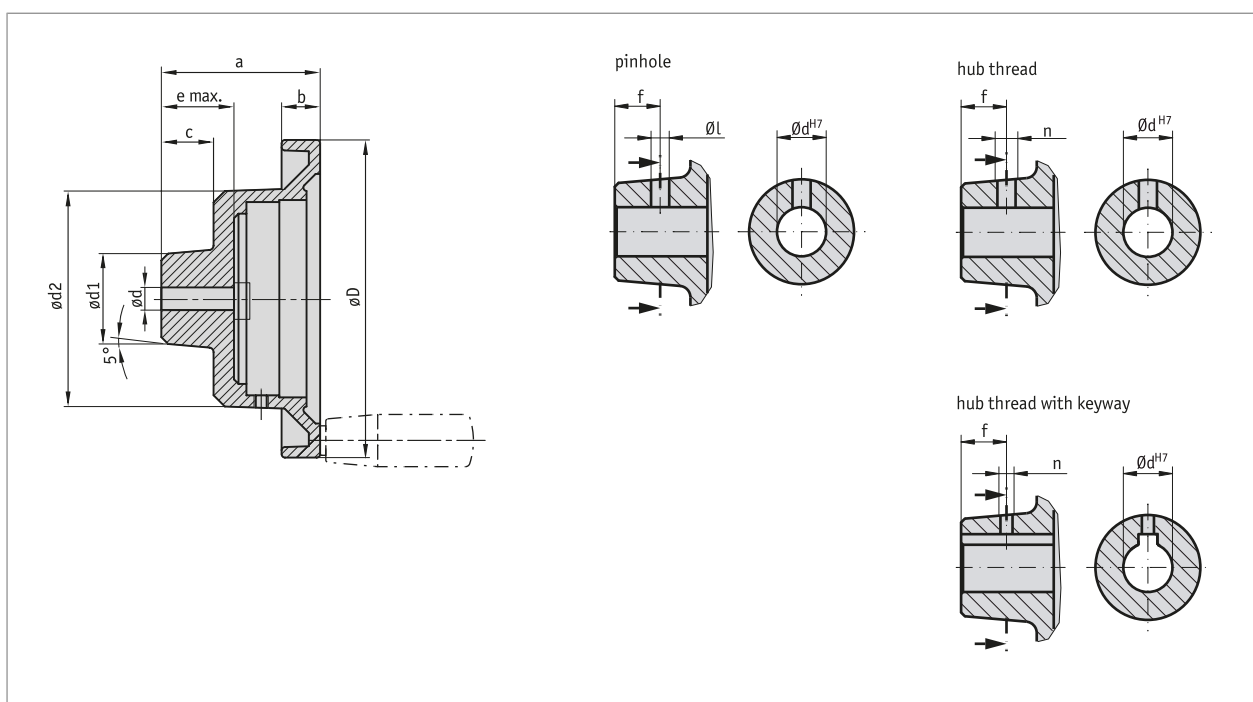


Profile

- Classical handwheel made of aluminum casting
- Plastic-coated or bright-finished surface
- Various hub versions
- Turning handle as an option (see accessories)



Mechanical data

Feature	Technical data	Additional information
Material	aluminum	
Weight	0.5 kg	HK12

■ Dimensions

øD	ødv	ødx	ød1	ød2	a	b	c	e	GfG	Suitable for
120	6.8	25	40	95	64	15	23	30	M6	S80/1; SZ80/1

dv = d pre-drilled; dx = d max.; GfG = thread for handle

■ special processing

Handwheel type	HK12							
Bore dH7	7, 8	9, 10	11, 12	13 ... 17	18 ... 21	22	23 ... 25	
Groove width with keyway JS9		3	4	5	6	6	8	
Pin hole	3.8/12	3.8/12	3.8/12	4.8/12	4.8/12	4.8/12	4.8/12	
Hub thread without keyway JS9	M4/12	M4/12	M4/12	M6/12	M6/12	M6/12	M6/12	
Hub thread with keyway JS9		M3/12	M3/12	M4/12	M5/12			

Highlights in orange are order features.

Order

■ Ordering table

Feature	Ordering data	Spezifikation	Additional information
surface	A		
	B	unpainted	
	C	plastic-coated, light gray hammertone others on request	
handle bore	B		
	OG ...	without handle bore M6, M8 with handle drill hole or handle thread	see dimension table; GfG value
Bore diameter	C		
	6.8 ...	prebored Ø7 ... 25 mm, in steps of 1 mm	see Table of dimensions, maximum value ødx
feather key groove	D		
	OP JS9 P9	without feather key groove Light fit Tight fit	according to DIN 6885/1 T1 according to DIN 6885/1 T1
	E		
Pinhole	OS ...	without pin hole Diameter "ø"/dimension "f" (e.g., 3.8/12)" others on request	see Table of dimensions; value GfG
	F		
	ONG ...	without hub thread Thread "n"/dimension "f" (e.g., M4/12)" others on request	"see table Special processing, depending on the handwheel type, only if pin hole is ""OS"""
tapered hub	G		
	OAN	without twisted hub others on request	
position indicator	H		
	PM PS	Position indicator mounted Separate position indicator	separate ordering of a position indicator required! separate ordering of a position indicator required!

■ Order key



 Scope of delivery: HK12	
 Accessories you can find: Analog position indicator S80/1 Analog position indicator SZ80/1	www.siko-global.com www.siko-global.com