


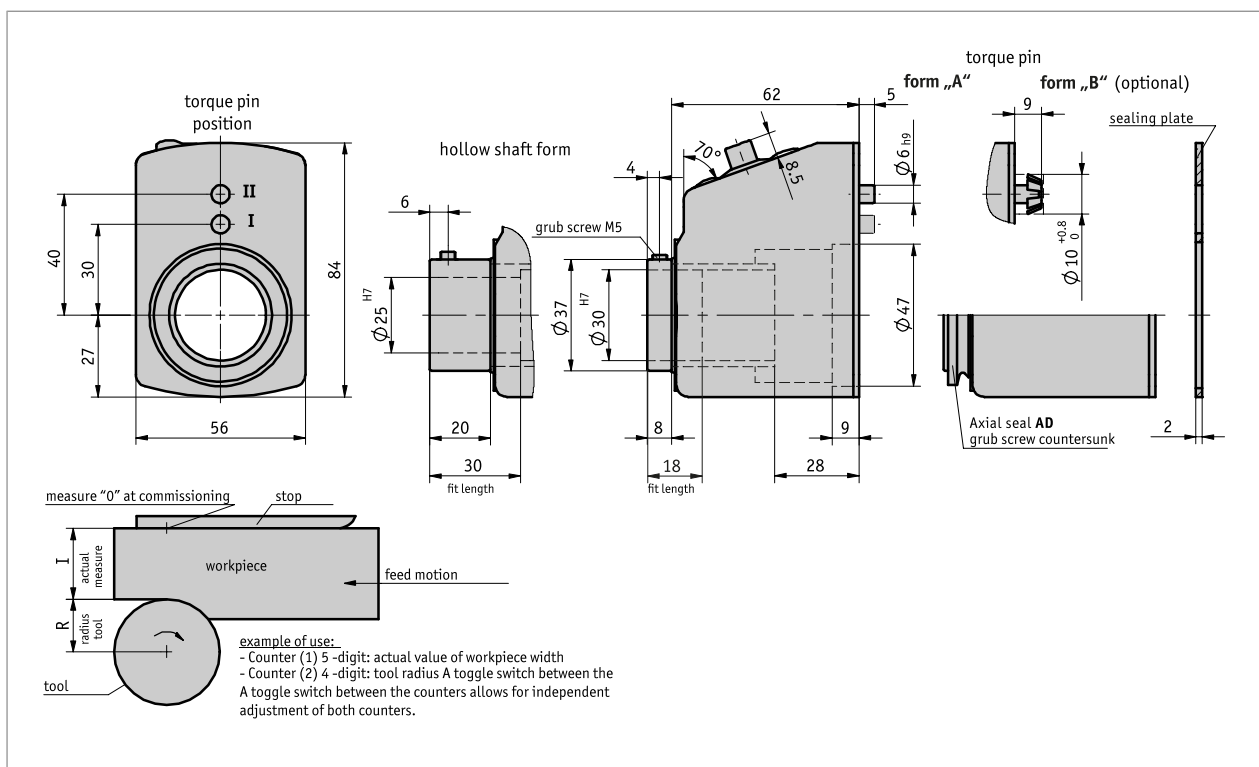
# Digital position indicator DA10R/1

With 2 counting mechanisms

## Profile

- Version with two counters (4 or 5 decades) and fine reading
- Predestined for use with wood milling machines
- Hollow shaft, max.  $\varnothing$  30 mm
- Display can be designed for "mm" or "inch"

 Speeds >500 rpm must only be run for short periods.




## Mechanical data

Feature	Technical data	Additional information
Housing	reinforced plastic	
Counter	4, 5 Decades with fine reading	
Digit height	~7 mm	
Weight	0.1 kg	

### ■ max. speed

Display (after 1st revolution)	max. speed [rpm]
00010	500 (1500)
00015	500 (1000)
00020	500 (750)
00025	500 (600)
00030	500
00040	375
00050	300
00060	250
00080	180
00100	150

 Speeds >500 rpm must only be run for short periods.

#### Formula:

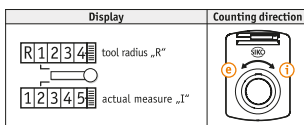
$$\text{max. speed} = \frac{15000}{\text{indication after 1st revolution}}$$

## Ambient conditions

Feature	Technical data	Additional information
Ambient temperature	0 ... 80 °C	

## Order

### ■ Ordering information



Note: Highlights in orange are order features.

### ■ Ordering table

Feature	Ordering data	Spezifikation	Additional information
indication after 1st revolution	<b>A</b> ...	7/874, 10, 15/747, 20, 25, 39/368, 40, 50, 80, 100 others on request	/874 = computational value not displayed
decimal place	<b>B</b> 0 1 2 3	0 = 0000 1 = 000.0 2 = 00.00 3 = 0.000	
Counting direction	<b>C</b> i e	clockwise ascending values counter-clockwise ascending values	
hollow shaft/diameter	<b>D</b> ... ...	25, 30 RH20, RH25	reducing bushes
hollow shaft/design	<b>E</b> WK WL	short hollow shaft long hollow shaft	
torque pin/position	<b>F</b> I II	position I position II	
axial seal	<b>G</b> OAD AD	without axial seal with axial seal	

### ■ Order key





**Scope of delivery:**  
DA10R/1



**Accessories you can find:**  
Adapter sleeve RH

[www.siko-global.com](http://www.siko-global.com)