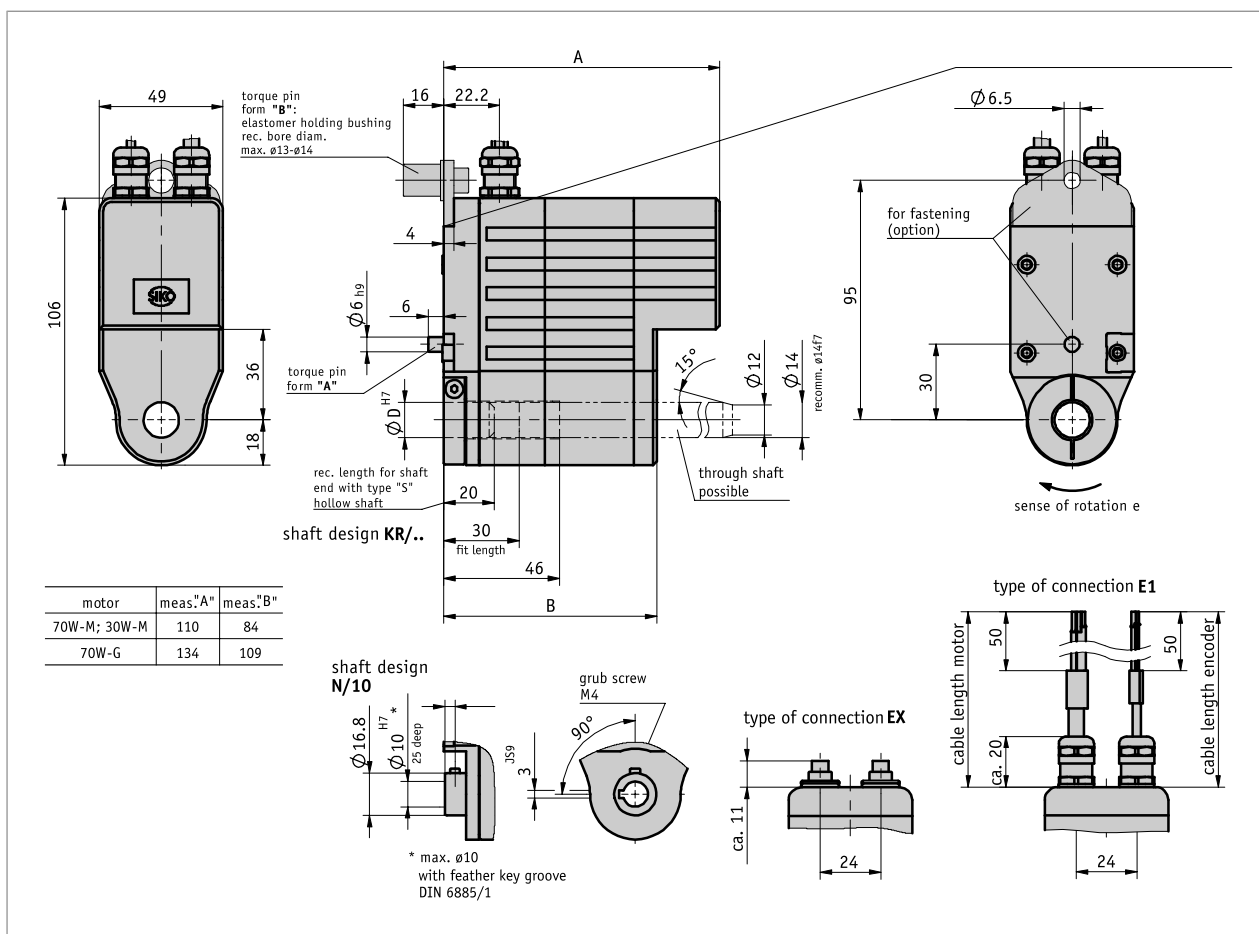


Profile

- Easy mounting
- Through hollow shafts up to max. $\varnothing 14$ mm possible
- Integrated magnetic position encoder on output shaft
- Electrical connection via cable or connector



Mechanical data

Feature	Technical data	Additional information
shaft	black-finished steel	
Housing	aluminum, powder coated zinc die cast	
Nominal torque/rated speed	1.1 Nm at 430 min^{-1} 2.1 Nm at 225 min^{-1} 4.2 Nm at 110 min^{-1}	$i = 12.4$ (70 W motors) $i = 24$ (70 W motors) $i = 48$ (70 W motors)
Operating mode	S3 intermittent operation: 25 % DC, 10 min.	EN 60034-1
Weight	~1.5 kg	

Electrical data

■ Motor

Feature	Technical data	Additional information
Operating voltage	0 ... 24 V DC	70 W motors
Power input	70 W	
Rated current	2.9 A ±10 %, (70 W-M motor) 4.1 A ±10 %, (70 W-G motor)	3.2 A max. load current 4.5 A max. load current
Type of connection	2x M9 plug connectors	4-pole, 1x pin; 8-pole, 1x pin

■ Encoder

Feature	Technical data	Additional information
Operating voltage	5 V DC ±5 %	LD5 position encoder
	24 V DC ±20 %	LD24 + OP position encoder
Current consumption	≤35 mA	
Output circuit	Line Driver (RS422)	LD5 + LD24 position encoders
	Push Pull (OP)	OP position encoder
Output signals	A, B, 0, /A, /B, I	
Pulse frequency	≤20 kHz	

Ambient conditions

Feature	Technical data	Additional information
Ambient temperature	0 ... 70 °C	
	0 ... 80 °C	without position encoder
Storage temperature	-20 ... 80 °C	
Relative humidity		condensation inadmissible
EMC	EN 61800-3, second environment	interference resistance / immission
	EN 61800-3, C3	emitted interference / emission
Protection category	IP63 with mounted mating connectors	EN 60529
Shock resistance	500 m/s ² , 11 ms	EN 60068-2-27
Vibration resistance	≤100 m/s ² , 5 ... 150 Hz	EN 60068-2-6

pin assignment

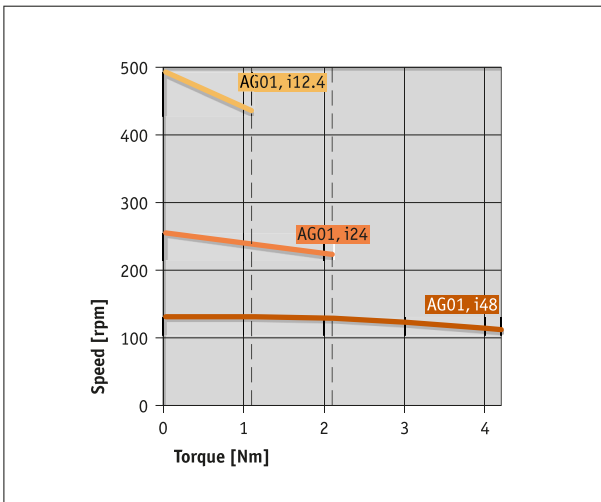
■ Motor

Signal	EX	E1
+	1	M1, white imprinted
+	2	
-	3	M2, white imprinted
-	4	

■ Encoder

Signal	EX	E1
B	1	white
+UB	2	brown
0	3	green
A	4	yellow
GND	5	gray
/A	6	pink
/B	7	blue
I	8	red

Performance curve



Order

■ Ordering table

Feature	Ordering data	Spezifikation	Additional information
Gear ratio	A 48 24 12.4	i = 48 i = 24 i = 12.4	
motor performance	B 70W-M 70W-G	24 V DC 24 V DC others on request	
shaft design/diameter	C KR/14 KR/12 N/10	clamping ring ø14 mm clamping ring, ø12 mm keyway, ø10 mm	only for type S hollow shaft
hollow shaft type	D S D	blind hole full-length	
Torque pin	E A B	bolt, ø6 mm lug I	incl. elastomer bushing
Type of connection	F E1 EX	open cable socket on the device	
motor cable length	G 2	in m others on request	
encoder cable length	H 2	in m others on request	
position encoder	I LD24 LD5 OP 0	Incremental encoder 1024 pulses Incremental encoder 1024 pulses push-pull with inverting without	

■ Order key

AG01 inkremental



**Scope of delivery:**

AG01 inkremental, Quick Start Guide

**Accessories you can find:**

Cable extension KV04S0

www.siko-global.com

Cable extension KV08S0

www.siko-global.com

Motor control module MS02

www.siko-global.com

Overview, Mating connector

www.siko-global.com

Mating connector, 8-pole, socket

Order key 81351

Mating connector, 4-pole, socket

Order key 83447