

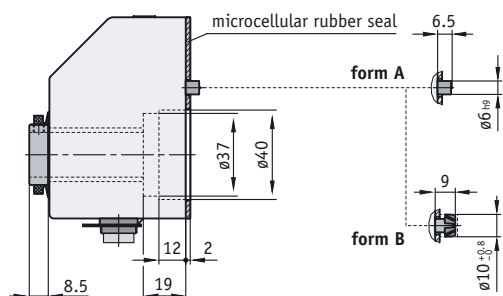
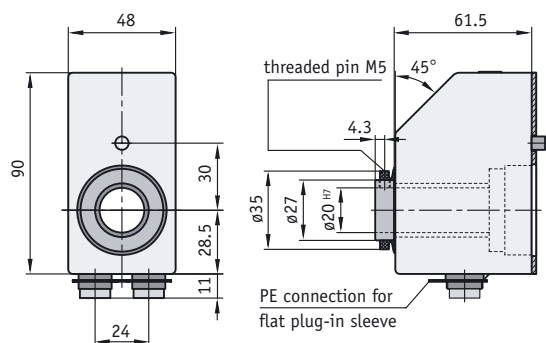
# Absolute Electronic Indicator AP09/1

The AP09/1 is used wherever machine parameters are transferred to a PC or control unit or polled via an interface. Setpoint and actual values can be shown on the LED. Quick and safe setting up as well as easy mounting enable this absolute position indicator to be used efficiently.

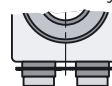


**Characteristics:**

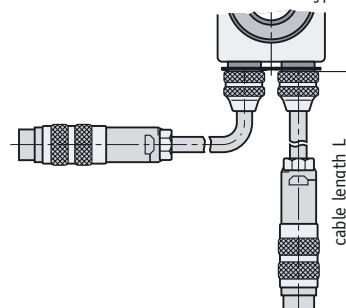
- LED
- absolute, battery-buffered
- BUS interface (RS485)
- programmable parameters: pitch, calibration value, sense of rotation, setpoint/actual value display
- multi-functional key programmable as reset, incremental function or setpoint display



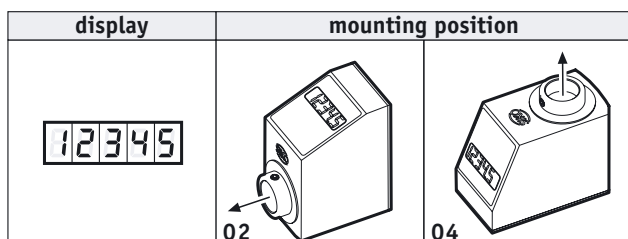
connection type E4X



connection type E6/L



Pin assignment	
Pin	Assignm.
1	-
2	-
3	0 V
4	+ UB
5	DÜA
6	DÜB
7	-



# Absolute Electronic Indicator AP09/1

Feature	Technical data	Additional information
Voltage supply	24 V DC +/-20 %	with polarity protection
Power consumption	< 0.5 W	
Display	5 x 7-segment LED, 8 mm	
Max. counting range	+/- 6900 revolutions	
Max. display range	- 19999 to + 99999	
Interface	RS485	115.2 kBaud
Connection	2x circular connector	
Key functions	address; zero; incremental measurement; setpoint display	
Parameters	all programmable via interface	
Battery	lithium cylindrical cell	3 V, type CR 17335, service life approx. 6 years
Interference immunity	interference protection class 3,	according to IEC 801-3
Test mark	CE	
Resolution	≤ 600 steps/revolution	
Housing	composite	with attenuation of shielding
Colour	black	
Weight	approx. 250 g	
Hollow shaft [diam. mm]	20H7 slide bearing	
Rotational speed	(operating voltage) ≤ 500 rev/min	(backup operation) ≤ 300 U/min
Operating temperature	0 ... + 50 ° C	
Storage temperature	-20 ... + 80 ° C.	
Humidity	0 ... 95%, condensation not permitted	
Vibration resistance	10 g (5...150 Hz), 20 g (100...2000 Hz)	DIN IEC 68-2-6
Shock resistance	30 g (15 ms)	DIN IEC 68-2-27
Type of protection	IP50 (IP54 as an option)	

### Ordering data

Design/mounting position	02	A	
	04		
Hollow shaft	...	B	20
			RH8; RH10; RH12; RH14; RH15;
			RH16; RH17; RH18
Torque support	A	C	
	B		
Type of protection	IP50	D	
	IP54		
Type of connection/ cable length	E4X	E	plug connection on the device
	E6/0.3		plug connection/ cable length 0.3 to 10 m
Accessories	76141		straight connector
	78088		angled connector
	BAS-0001		bus terminator
	KV09		cable extension

Your order: AP09/1 - A - B - C - D - E